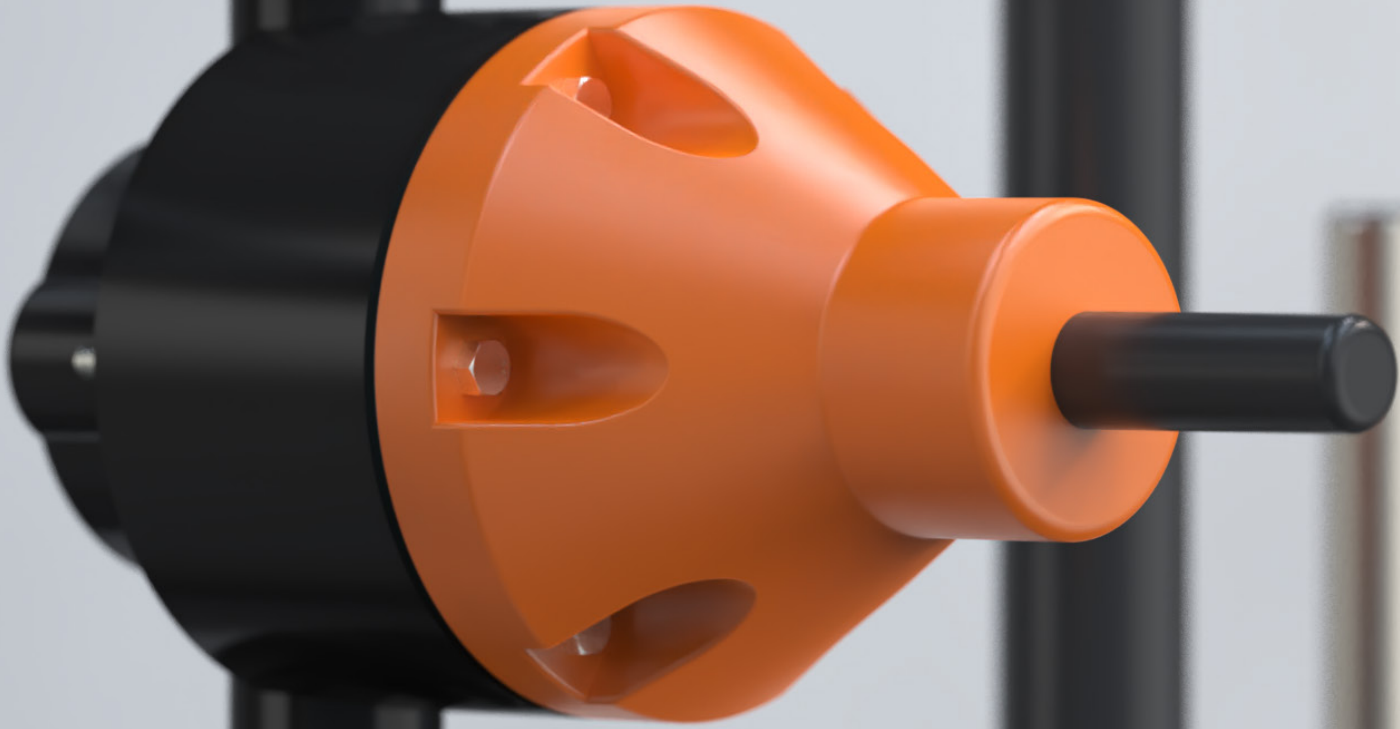


Truflo® — BRP & BRP3 Series Back Pressure Relief Valves

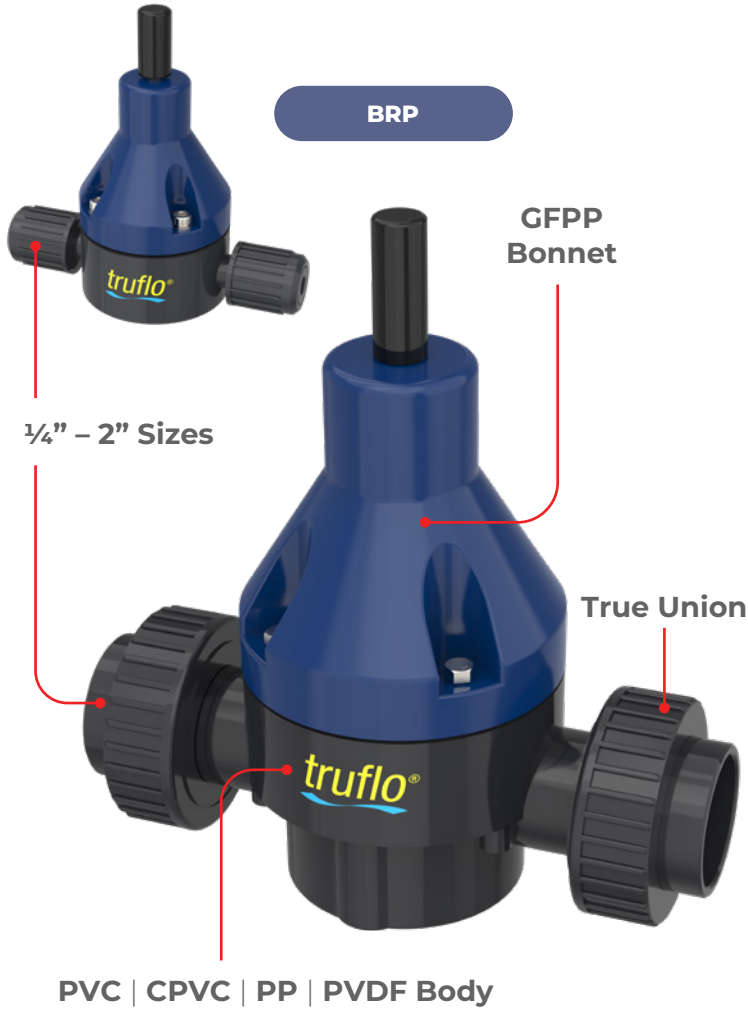
ICON™ Corrosion-Free
PROCESS CONTROLS Instrumentation Equipment™



truflo®

Truflo® — BRP & BRP3 Series

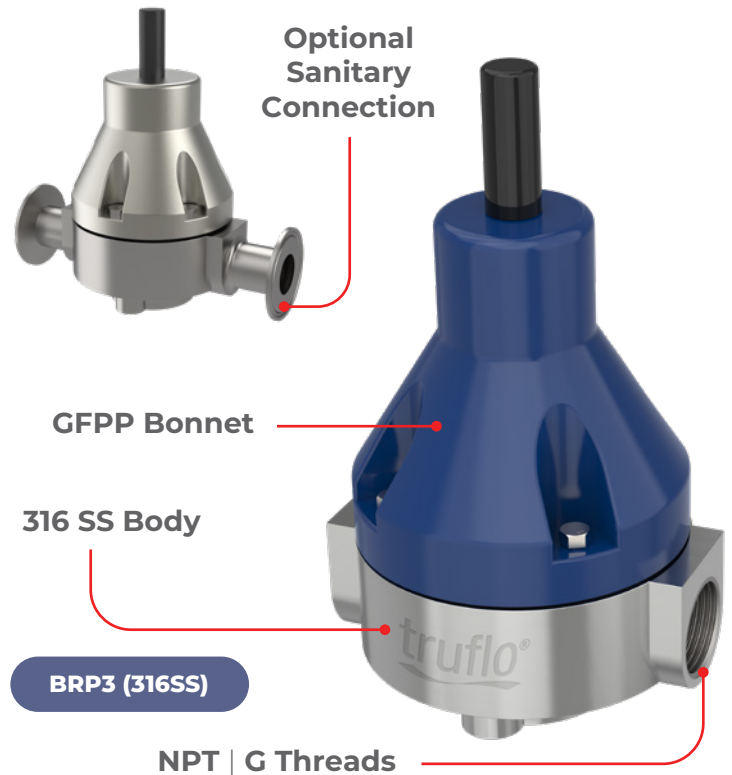
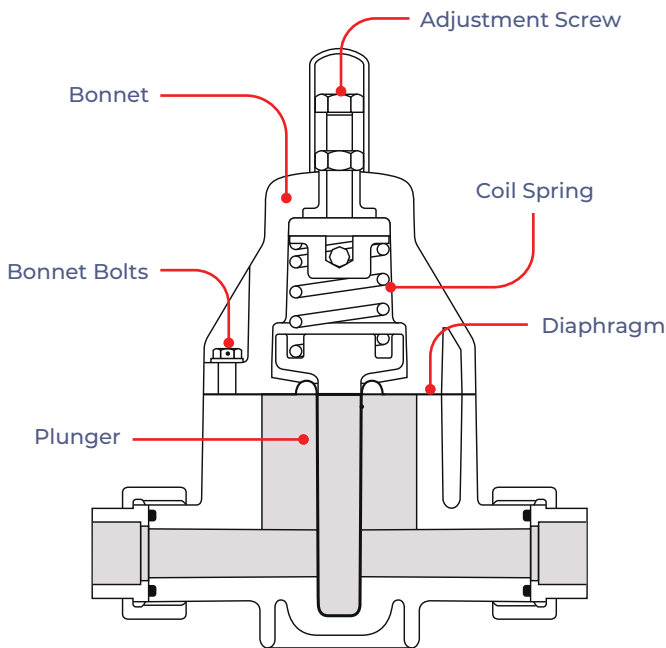
Back Pressure Relief Valves



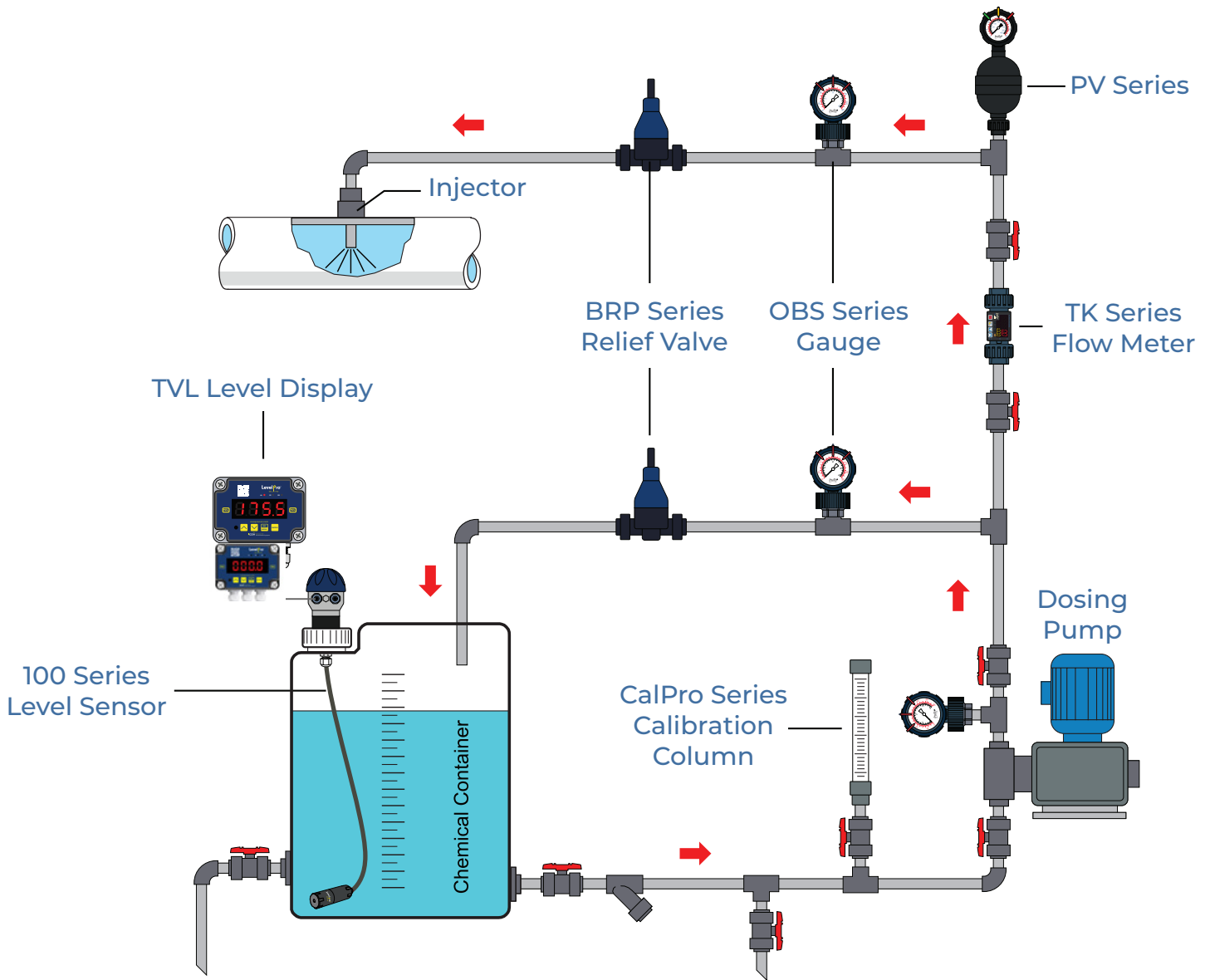
Features

- ✓ PTFE Teflon® / EPDM Bonded Diaphragm
- ✓ Glass Filled PP Bonnet
- ✓ PVC | CPVC | PP | PVDF | 316 SS Bodies
- ✓ Field Adjustable 5-150 Psi Range
- ✓ True Union Design
- ✓ Socket or NPT Connections
- ✓ Small Footprint
- ✓ Unaffected by Downstream Pressure

The Truflo® BRP Series Back Pressure Relief Valve has two functions. As a back pressure valve installed in-line downstream of a pump. In this position the back pressure below the metering pump is maintained. When the BRP valve is installed in the branch of a tee fitting it functions as a pressure relief valve. The valve remains closed until inlet pressure reaches the preset pressure which is adjusted by turning the spring tensioning bolt. The pressure at the inlet of the valve acts upward against the piston allowing the liquid under higher pressure to flow upwards through the orifice.



Truflo® — BRP & BRP3 Series Back Pressure Relief Valves



Model Selection

BRP Back Pressure Relief Valve — PVC PP CPVC PVDF 316SS										
Size	Part Number	Material	Part Number	Material	Part Number	Material	Part Number	Material	Part Number	Material
1/4"	BRPV-003	PVC	-	-	-	-	-	-	-	-
3/8"	BRPV-003	PVC	-	-	-	-	-	-	-	-
1/2"	BRPV-005	PVC	BRPP-005	PP	BRPC-005	CPVC	BRPF-005	PVDF	BRP3-005	316 SS
3/4"	BRPV-075	PVC	BRPP-075	PP	BRPC-075	CPVC	BRPF-075	PVDF	BRP3-075	316 SS
1"	BRPV-100	PVC	BRPP-100	PP	BRPC-100	CPVC	BRPF-100	PVDF	BRP3-100	316 SS
1 1/4"	BRPV-125	PVC	BRPP-125	PP	BRPC-125	CPVC	BRPF-125	PVDF	BRP3-125	316 SS
1 1/2"	BRPV-150	PVC	BRPP-150	PP	BRPC-150	CPVC	BRPF-150	PVDF	BRP3-150	316 SS
2"	BRPV-200	PVC	BRPP-200	PP	BRPC-200	CPVC	BRPF-200	PVDF	BRP3-200	316 SS

PVC
PP
PVDF
316SS
RoHS Compliant
CE

Add Suffix — 'S' - Sanitary Connection
* Consult Factory for 10-235 Psi : Model BRP3-H