

**canfield  
connector**

**7GL SERIES**  
GENERAL LOCATION MAGNETIC  
PROXIMITY SENSORS  
FOR TIE ROD CYLINDERS

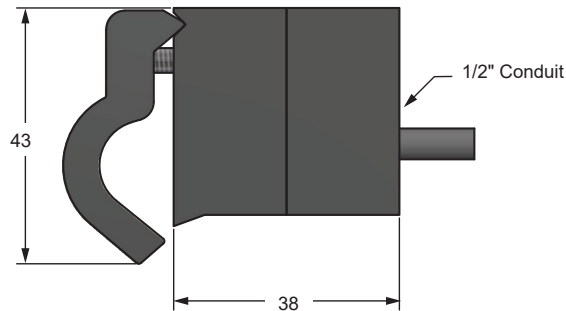
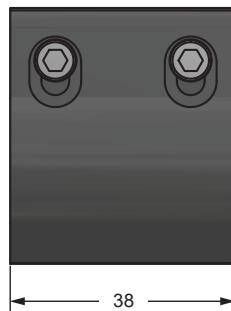
**GENERAL DESCRIPTION**

The Canfield Connector 7GL is an expansion of the popular Series 7000 “floating” clamp design, which adapts to NFPA tie rod linear actuators with 2 to 8 inch bore. This rugged magnetic proximity sensor can sense actuator position in stringent, general location applications. The switch features a robust, aircraft aluminum body, epoxy-filled, vibration and shock resistant, electronic circuit. Available in a normally open contact, the 7GL can switch current up to .5 Amps and has a voltage range of 0-120VAC/VDC 50/60 Hz.



**DIMENSIONAL DATA**

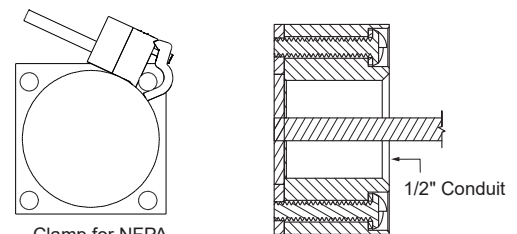
All dimensions are in millimeters unless otherwise noted.



**TECHNICAL DATA**

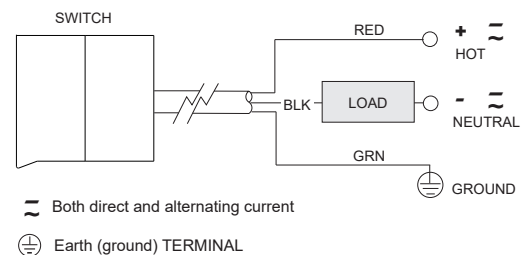
<b>Switch Type</b>	S.P.S.T., Normally Open, Reed
<b>Operating Voltage</b>	0-120 V AC/DC 50/60 Hz
<b>Load Max.</b>	10W, Resistive only
<b>Current Max.</b>	0.5A
<b>Response Time</b>	On: 0.5ms Off: 0.1ms
<b>Sensitivity / Orientation</b>	85 Gauss Parallel (measured from sensor surface)
<b>Shock</b>	Up to 30G (11mS)
<b>Vibration</b>	Up to 20G (10-55 Hz)
<b>Materials</b>	Cable: PVC House: Anodized 6061-T6 Aluminum, Epoxy encapsulated printed circuit board
<b>Temperature Range</b>	-20° to +80°C
<b>Environmental Protection</b>	Designed for NEMA 1, 4 and 13
<b>Cable Diameter</b>	.19mm
<b>Wire Gauge</b>	20 AWG standard
<b>Wire Length</b>	9 Ft. standard

**MOUNTING INSTALLATION**



Clamp for NFPA tie-rod cylinders Universal 2" to 6" bore.

**ELECTRICAL INSTALLATION**



**ORDERING INFORMATION**

**7GL10-000-001**