



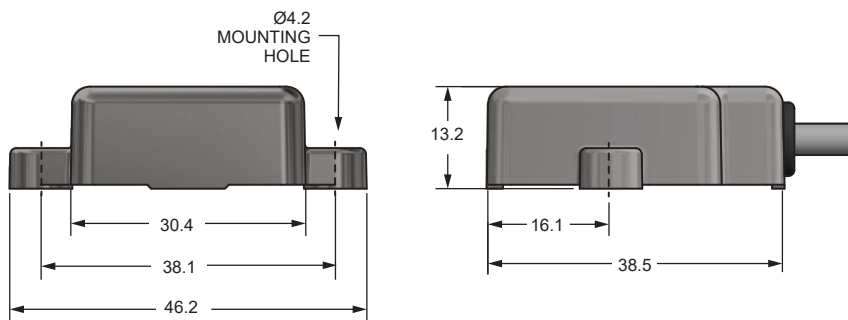
### GENERAL DESCRIPTION

The Canfield Connector Electronic Inclinometer Sensor EiS is an instrument designed to measure angles of slope, tilt, or elevation of an object with respect to gravity based on an artificial horizon. Synonyms include tilt sensor, tilt switch, clinometer, slope sensor, slope gauge, level sensor, level meter, tiltmeter or pitch and roll sensor. The EiS Series is an all solid-state, MEMs device designed to measure tilt while reporting the data within 0.3 degrees accuracy +/- 85° with an analog output of .5 to 9.5 Volts DC, 4 -20mA. The unit features a miniature metal housing and is epoxy encapsulated for vibration, water and dust resistance and is rated up to IP 69K environmental rating. Available in 1 or 2 axis versions, the unit boasts a temperature drift of +/- 1° maximum with a temperature range of -40 to 85°C. The EiS Series is precisely calibrated to remove non-linearity in the sensing range. Applications for inclinometers such as the EiS Series include platform leveling, motion sensing, filter vibrations, boom angle sensing, cameras, machine arm angle sensing as well as mobile security systems. The unit comes with high quality 9 ft. PVC jacketed wire, other lengths and quick connections as options, and is mounted in place by use of two 4.2mm holes.

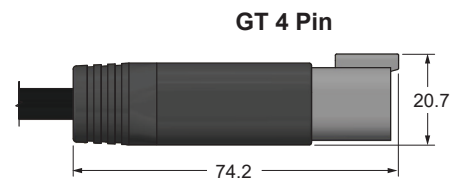
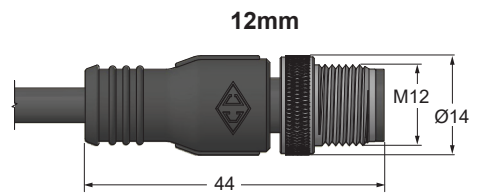
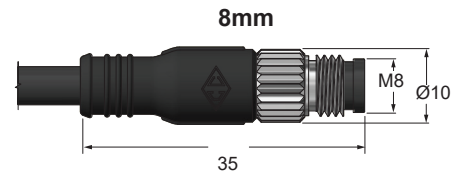


### DIMENSIONAL DATA

All dimensions are in millimeters unless otherwise noted.



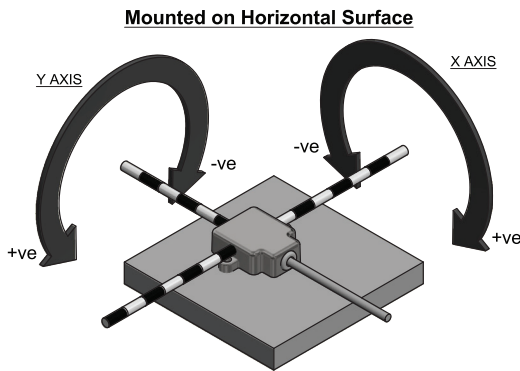
### CONNECTION OPTIONS



## TECHNICAL DATA

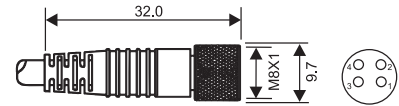
<b>Accuracy @ 20°C</b>	0.3°
<b>Environmental Protection</b>	Up to IP 69K
<b>Materials</b>	Housing: Zinc die-cast Housing Finish: Black powder coat
<b>Number of Axis</b>	Single: 1 Dual: 2
<b>Output Current</b>	10 mA Maximum (Voltage Output Units)
<b>Output Format</b>	Analog
<b>Output Type</b>	0.5 - 4.5VDC 0.5 - 9.5 VDC 4 - 20 mA
<b>Range</b>	+/- 85°
<b>Supply Voltage</b>	12-24 VDC
<b>Temperature Drift</b>	+/- 1° Maximum
<b>Temperature Range</b>	-40° to +85°C
<b>Cable Type</b>	PVC (PUR on request. Consult Factory)
<b>Wire Gauge</b>	24 AWG

## MOUNTING / SENSING ORIENTATION



## (ADDITIONAL) MATING CORDSETS / PIN CONFIGURATION

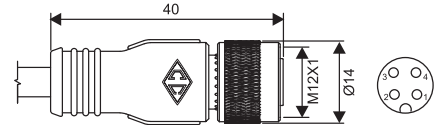
### 8mm female molded locking connector



Brown = Pin 1  
White = Pin 2  
Blue = Pin 3  
Black = Pin 4

**Order P/N:**  
RC08-AFM040-0120C10A (2m length)  
RC08-AFM040-0150C10A (5m length)

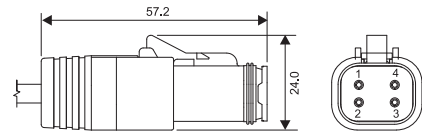
### 12mm female molded locking connector



Brown = Pin 1  
White = Pin 2  
Blue = Pin 3  
Black = Pin 4

**Order P/N:**  
RC12-AFM040-0120C10A (2m length)  
RC12-AFM040-0150C10A (5m length)

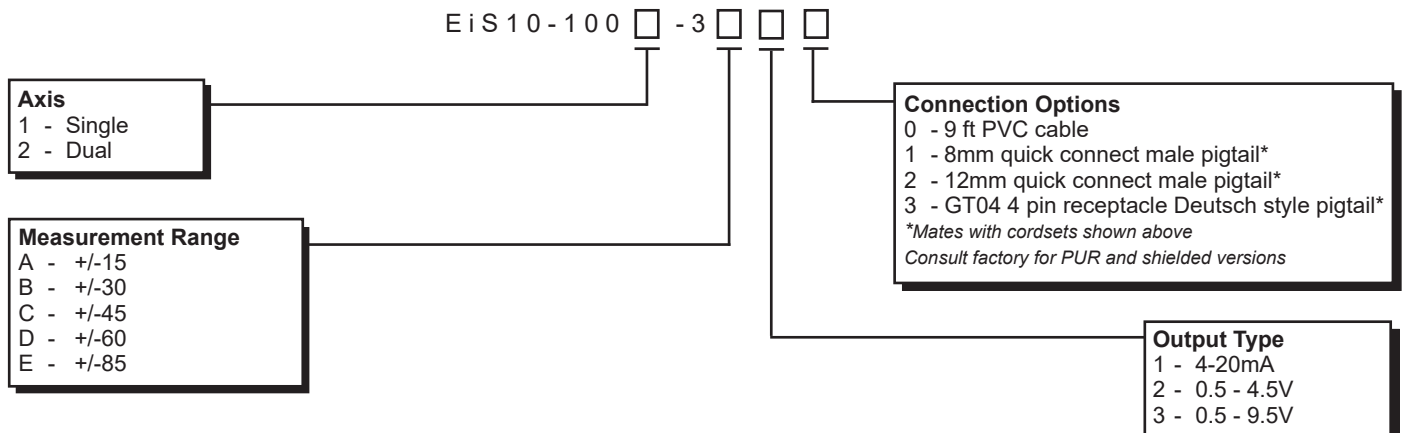
### GT Deutsch style locking plug



Brown = Pin 1  
Blue = Pin 2  
Black = Pin 3  
Green = Pin 4

**Order P/N:**  
GT0604-U000-1A (2m length)  
GT0604-X000-1A (5m length)

## ORDERING INFORMATION



**Ordering Example:** EiS10-1001-3A10

Single Axis, +/-15 Range, 4-20mA, 9 ft. PVC cable.