



**canfield  
connector**

**9M50 SERIES**  
REED & ELECTRONIC  
MAGNETIC SENSORS FOR  
6.5MM "D" GROOVE APPLICATIONS

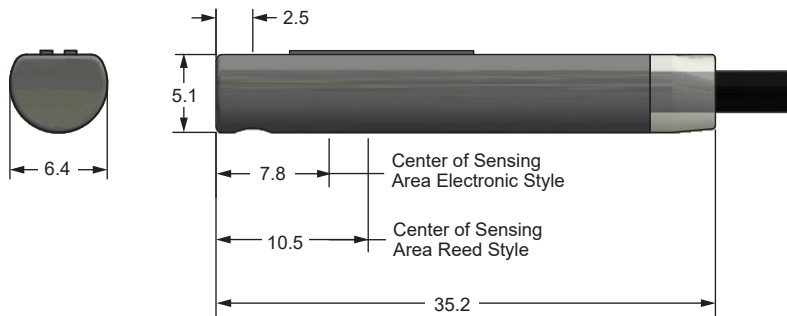
### GENERAL DESCRIPTION

The Canfield Connector 9M50 Series is a compact full featured magnetic proximity switch designed to fit a "D" shaped groove detail designed into linear actuators. The innovative design allows the switch to be inserted anywhere along the linear actuator and then rotated and locked into position. When installed the switch lies flat against the cylinder housing and does not protrude beyond the cylinder face making installations neat and clean. The fully encapsulated switch is offered in reed, and electronic styles in either NPN or PNP. The robust polyurethane encapsulated design meets IP67, NEMA 6 environmental protection. Voltage ranges are available from 0 to 120 VAC/DC in multiple versions. Standard connection is provided by a 9 ft. PVC or 8mm quick connect male pigtail and is proudly made in the U.S.A.

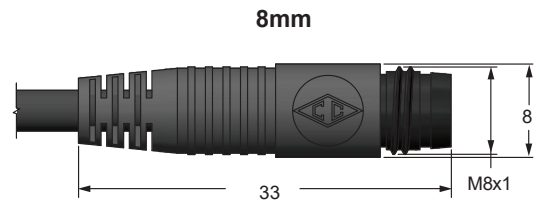


### DIMENSIONAL DATA

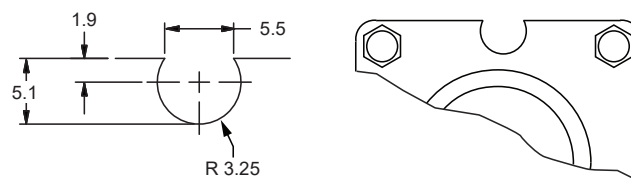
All dimensions are in millimeters unless otherwise noted.



### CONNECTION OPTION



### GROOVE DETAILS



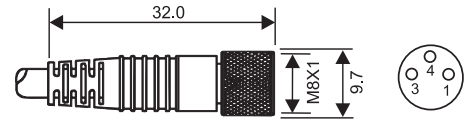
(Fits: Norgren)

## TECHNICAL DATA

<b>Switch Type / Tech. Specs.</b>	See Ordering Information <sup>†</sup>
<b>Sensitivity / Orientation</b>	Electronic: 25 Gauss Parallel Reed: 85 Gauss Parallel (measured from sensor surface)
<b>Shock</b>	Up to 30G (11mS) Reed Only (not applicable for electronics)
<b>Vibration</b>	Up to 20G (10-55 Hz) Reed only
<b>Materials</b>	Cable: PVC House: PEI, TPU
<b>Temperature Range</b>	-20° to +80°C
<b>Environmental Protection</b>	Designed for IP 67 / NEMA 6
<b>Cable Diameter</b>	2.7mm
<b>Wire Gauge</b>	26 AWG standard

### (ADDITIONAL) MATING CORDSETS / PIN CONFIGURATION

#### 8mm female molded locking connector



Brown = Pin 1  
Blue = Pin 3  
Black = Pin 4

#### Order P/N:

RC08-AFM030-0120C10A (2m length)  
RC08-AFM030-0150C10A (5m length)

## ORDERING INFORMATION

9 M 5 0 1 0 - 0 0 0 -

#### Connection Options

0 - 9 ft PVC cable  
3 - 8mm quick connect male pigtail\*  
*\*Mates with cordsets shown above*

Switch <sup>†</sup> Type	Description	Function	Switching Voltage	Switching Current	Switching Power	Voltage Drop	**Magnetic Sensitivity
01	Reed Switch	Normally Open SPST	0 - 120V AC/DC 50/60 Hz	0.25 Amps Max.	5 watts Max.	0 Volts	85 Ga.
02	Reed Switch for PLC's Red LED (current limiting)	Normally Open SPST	5 - 120V AC/DC 50/60 Hz	0.03 Amps Max. 0.001 Amps Min.	4 watts Max.	3.5 Volts	85 Ga.
31	Electronic for Reed Magnet, Yel LED & Sourcing	Normally Open PNP	5 - 28 VDC	0.2 Amps Max.	4.8 watts Max.	1.0 Volts	25 Ga.
32	Electronic for Reed Magnet, Red LED & Sinking	Normally Open NPN	5 - 28 VDC	0.2 Amps Max.	4.8 watts Max.	1.0 Volts	25 Ga.

<sup>†</sup>Minimum gauss rating required for proper operation. Size of sensing area depends upon size and strength of magnet and thickness of cylinder wall.

#### Ordering Example: 9M5010-000-002

9 ft. PVC cable, reed switch with Red LED,  
SPST, 5 - 120V AC/DC 50/60 Hz