



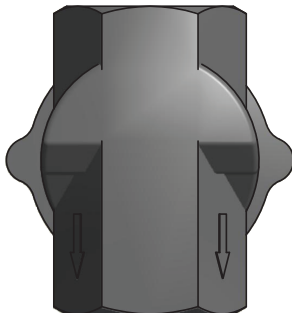
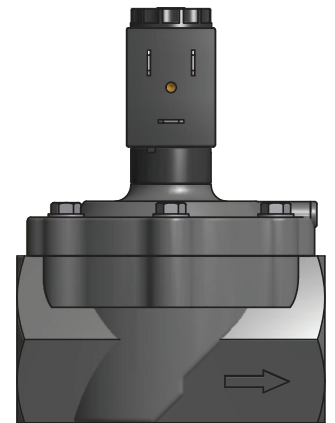
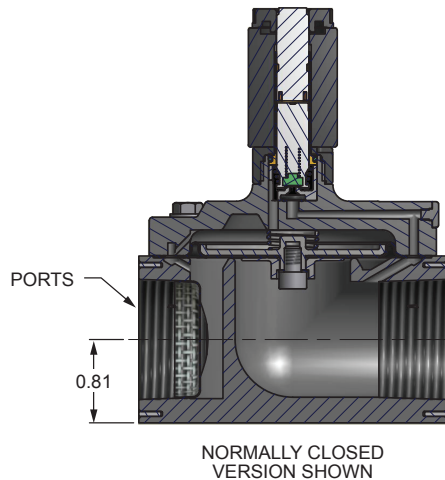
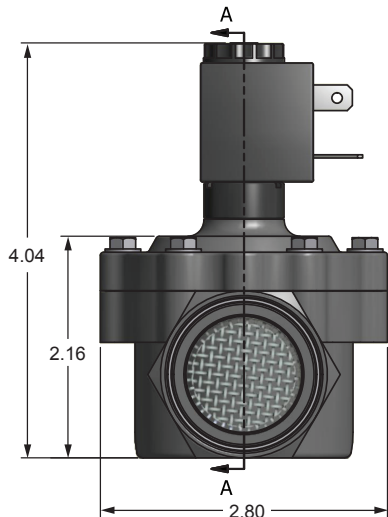
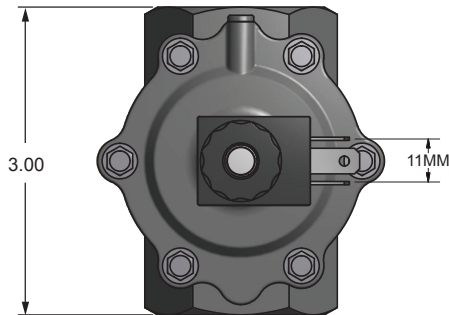
Series 3680

Diaphragm Process Composite Air-Sol 2-Way

The Spartan Scientific Series 3680 2-Way, 2-Position solenoid diaphragm valve offers the highest flow for the smallest overall size in its class. The valve is designed from the ground up using modern design technologies and materials. Featuring a full flow orifice, the 3680 is available in either Normally Closed or Normally Open configurations. The PEI body is media compatible, light in weight, and by use of external metal port rings, is virtually indestructible. The Normally Open version of the valve features an optional turn lock manual override and has no external by-pass tube which eliminates leak points and size. The body is available in 3/4" and 1" NPT. The low wattage solenoid features an Industry Standard 22 mm wide coil electrical interface and is nylon encapsulated. FKM, EPDM and NBR are standard elastomers and the operators are made of stainless steel / brass or stainless steel / brass with copper shading rings for AC versions. Typical applications include control of inert gases, water and compatible fluids.

Dimensional Data

ALL DIMENSIONS ARE IN INCHES UNLESS OTHERWISE NOTED



DIAPHRAGM
PROCESS



Series 3680

Diaphragm Process Composite Air-Sol 2-Way

Technical Data

Function: 2-Way, 2-Position; Internal Pilot Solenoid Operated; Normally Closed or Normally Open

Port Sizes / Flow Factor: 3/4" NPT / 9.5 Cv
1" NPT / 14 Cv

Orifice Sizes 28.58mm

Pressure Range: 10 to 120 psi (depending on orifice size and function)

Temp. Range: Fluid Max.: +60°C
Dry Range: Ambient +10° to +50°C

Response Time: 80 to 120ms Complete Cycle

Media: Air, oil, light oil, noble gases, water (contact factory for compatibilities)

Manual Override: Turn Lock
Normally Open Version Only

Environment IP65 (IEC 144), NEMA 4

Protection: Dust-tight and water resistant (with electrical connector)

Mounting: On pipe

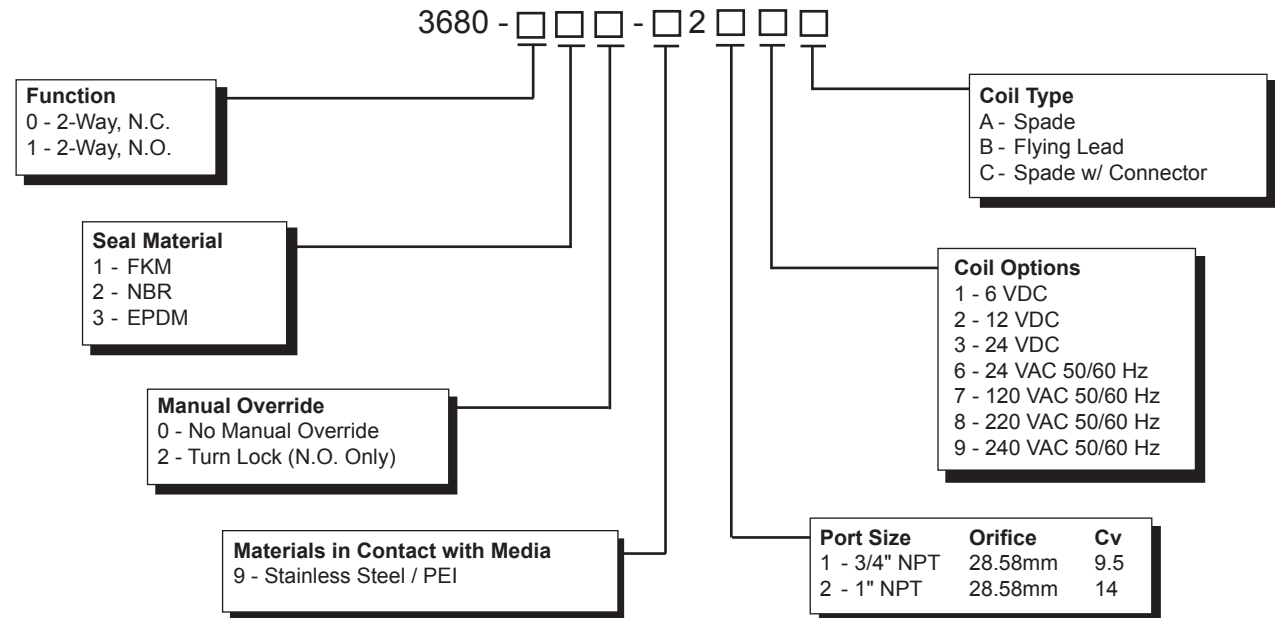
Wetted Materials: Elastomers: EPDM, FKM, NBR
Operator: 300 and 400 Series Stainless Steel
Shading Ring: Copper (AC Only)
Springs: 300 Series Stainless Steel
Valve Body: PEI

Coil Data: Duty Cycle: Continuous (within specifications)
Encapsulation: Glass-Filled Nylon
Insulation: Class F
Power Rating: 6.5 Watt VDC, 8.5 VA VAC (others available on request)
Voltage: 6, 12, 24 VDC
24, 120, 220, 240 VAC 50/60 Hz
Voltage tolerance: +/- 10% Nominal
Winding: Class H

Connections: Spades: Terminals AMP 6.3x0.8 width 11mm
Flying Lead: PVC 22 AWG, Multi-Strand Copper Wire, 300V, 12" minimum length

Packaged Weight: 0.77 lbs.

How To Order



Order Example: 3680-010-9211A
2-Way, N.C., FKM, No Override,
3/4" NPT, 6 VDC, Spade