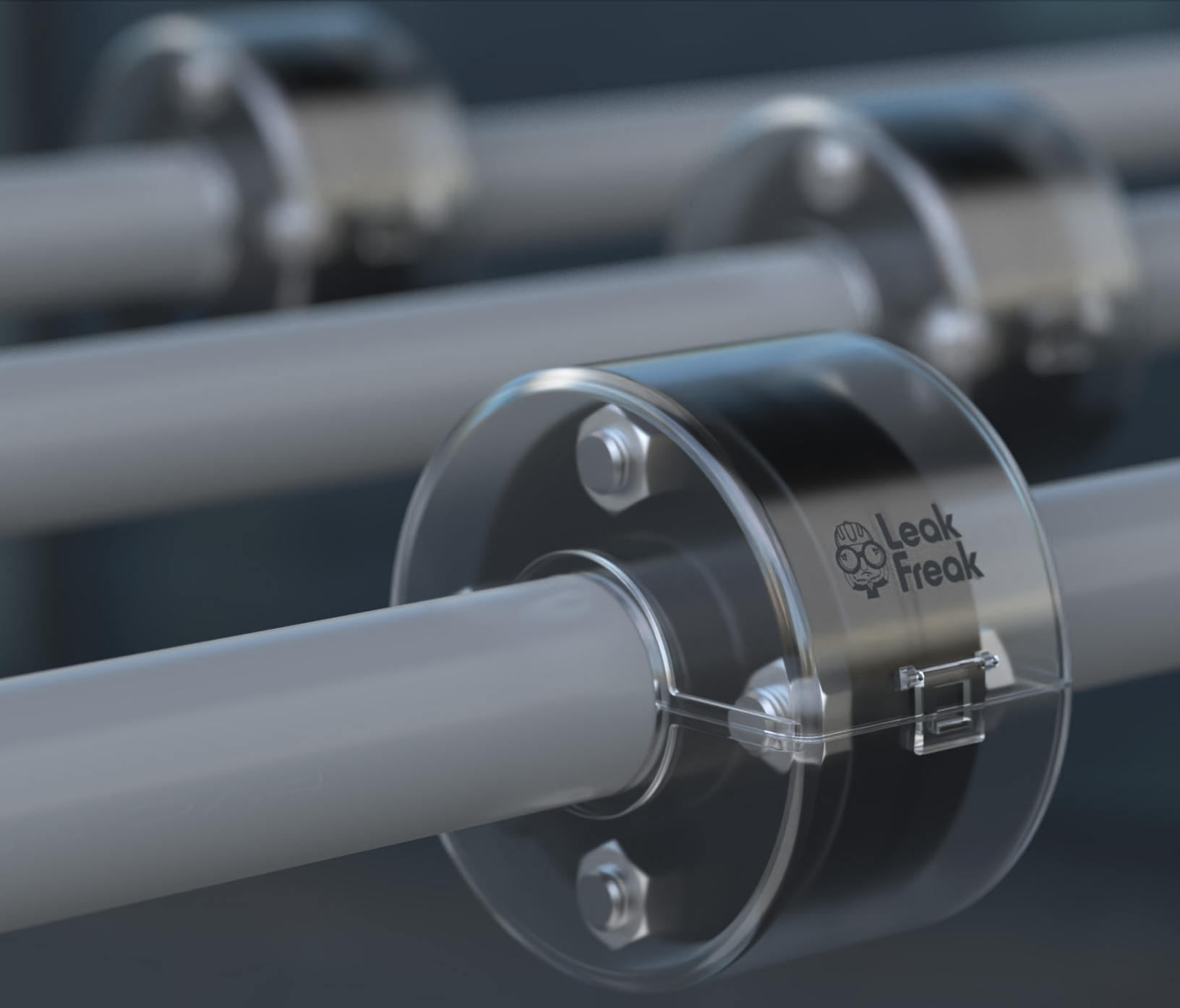


Truflo® — LFS Series
Flange Safety Spray Shields

ICON™ Corrosion-Free
PROCESS CONTROLS Instrumentation Equipment



truflo®

Leak Protection,
That's a Snap to Install

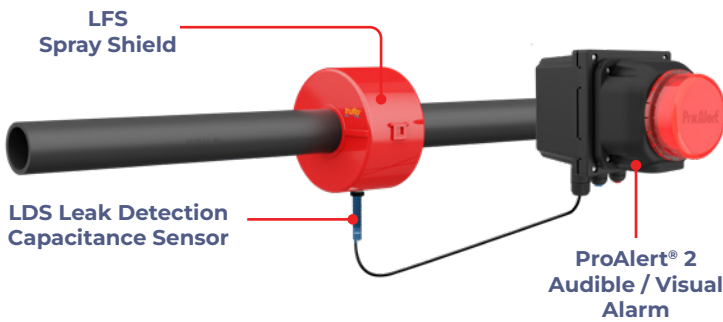
Truflo® — LFS Series

Flange Safety Spray Shields



- ✓ 'LEAK FREAK' Safety Flange Shield
- ✓ Hazardous Liquid Spray | Leak Protection
- ✓ Plug & Play – Not Tools Required

- ✓ PP Solid 2 Piece
- ✓ Readily Reusable
- ✓ No Down Time
- ✓ Completely Corrosion Resistant — Inside and Out
- ✓ Lightweight | Perfect for Plastic Piping Systems
- ✓ Plug & Play — Not Tools Required
- ✓ Transparent or Red Pigmented Versions
- ✓ Resists Chemical Attack
- ✓ Quick installation | Under 2 min
- ✓ No Hazardous Disposal Costs



The LFS Series safety clamshell shields are made from solid polypropylene providing excellent chemical resistance.

They are designed to 'Fit and Forget' quick and easy to assemble and install, just join the two halves of clamshell around the flange and snap in place.

The LFS series are reusable, do not tear or rip, do not require lacing, and provide your piping system with a safe and secure, means of preventing harmful 'Spray-Outs' without any down time.

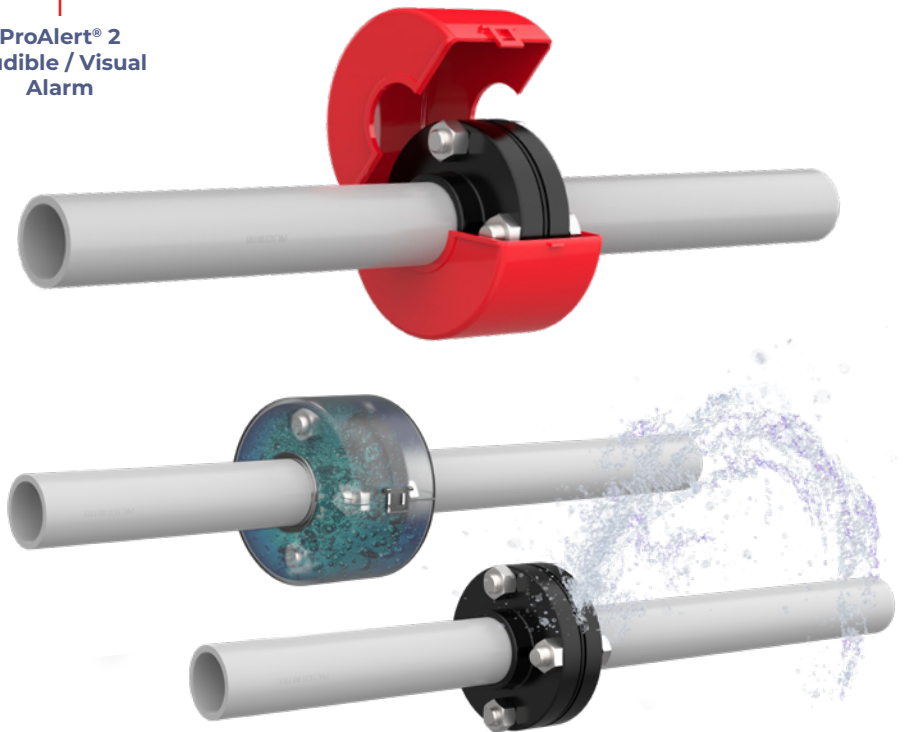
LFS — All Plastic Flange Spray Shields		
Size	Part Number	Material
1/2"	LFS005	PP
3/4"	LFS007	PP
1"	LFS010	PP
1 1/2"	LFS015	PP
2"	LFS020	PP
3"	LFS030	PP
4"	LFS040	PP
6"	LFS060	PP
8"	LFS080	PP

Add Suffix -

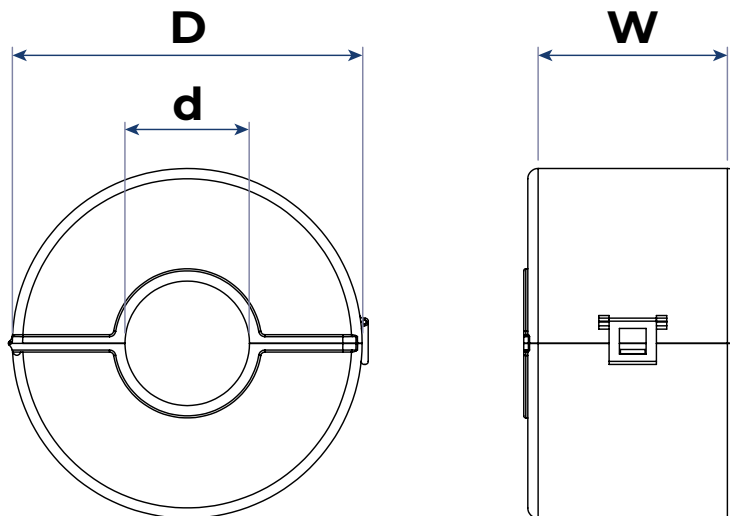
'R' at End of Part Number for Red

Note: Transparent Not Suitable For Outdoor Applications

'6", 8" Available in Transparent Only



Dimensions



LFS — All Plastic Flange Spray Shield Dimensions

ANSI	DIN (DN)	D (mm)	d (mm)	W (mm)
½"	15	110	35	100
¾"	20	115	35	100
1"	25	125	40	100
1½"	40	170	55	100
2"	50	172	67	100
3"	80	230	95	110
4"	100	275	120	110
6"	150	290	180	115
8"	200	370	240	125