

450 Series

Solid Front • Field Liquid Fillable • Turret Case

PROCESS GAUGES



450B shown



- ▶ 4 1/2" Dial Size
- ▶ ±0.5% Accuracy
- ▶ Solid Front/Blow-Out Back
- ▶ Field Liquid Fillable

The Trerice **450 Series** Process Gauge is designed for the petrochemical and industrial process industries. This solid front, blow-out back gauge is noted for its fiberglass reinforced polypropylene turret case and screwed ring; its sturdy interior design; and its field liquid-fill capability (no kit required). The 450 Series can withstand the most rugged industrial applications, while maintaining precise accuracy. Wetted parts are bronze tube/brass socket, stainless steel, or Monel.

- **Optional features available: Please consult the Options & Accessories Section for details.**
- **For correct use and application of all pressure gauges, please refer to: Pressure Gauge Standard ASME B40.100.**

Note: "NEW" Range Codes

HOW TO ORDER

Sample Order Number: **450LFB 45 02 L D 300**

Model	Dial Size	Connection Size	Connection Location	Units of Measure	Range Code	
450B	45 4 1/2"	02 1/4 NPT	L Lower	A psi	See Standard Ranges Note: "NEW" Range Codes	
450LFB		04 1/2 NPT	B Back	B kPa		
450SS		09 9/16-18 UNF-2A-LH*				C kg/cm ²
450LFSS						D psi/kPa
450M						E psi & kg/cm ²
450LFM						

* For use with 9/16 high-pressure female fittings

Specifications

Models	Wetted Parts
450B (dry)	Bronze tube, brass socket
450LFB (liquid-filled)	
450SS (dry)	316L stainless steel* tube and socket
450LFSS (liquid-filled)	
450M (dry)	Monel tube and socket (meets NACE MR 01.75)
450LFM (liquid-filled)	

Dial Size	4 1/2"
Fill	Glycerine. Other fills available. See Options & Accessories
Movement	Stainless steel
Connection	Lower male or lower back male, 1/4 or 1/2 NPT
Case	Fiberglass reinforced polypropylene, turret, solid front with blow-out back
Ring	Threaded fiberglass reinforced polypropylene
Window	Acrylic
Pointer	Micro adjustable, black finished
Dial Face	Aluminum, white background with black graduations and markings
Additional Features	Overload and underload stops
Accuracy	±0.5% Full Scale, ASME B40.100 Grade 2A
Maximum Temperature	450B, 450SS, 450M: 250°F (121°C) 450LFB, 450LFSS, 450LFM: 150°F (65°C)

Approximate Shipping Weight

450B, 450SS, 450M:
2.2 lbs [1.00 kg]
450LFB, 450LFSS, 450LFM:
3.1 lbs [1.41 kg]

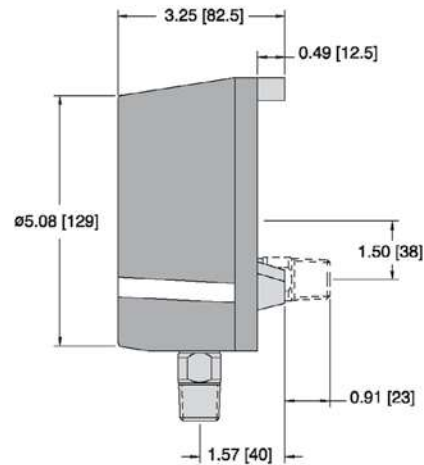
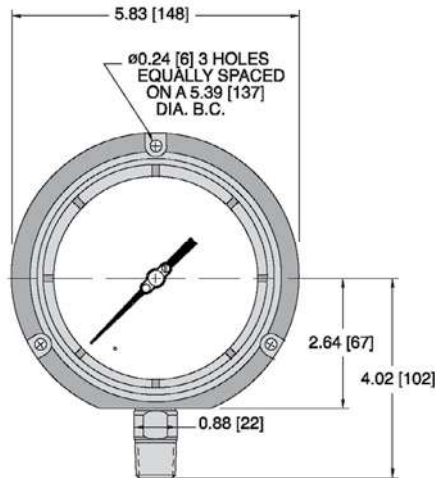
* Ranges over 10,000 PSI have Ni-Span-C tube.

450 Series

All dimensions are nominal. Dimensions in [] are in millimeters.

Solid Front • Field Liquid Fillable • Turret Case

PROCESS GAUGES



Standard Ranges

Note: "NEW" Range Codes

NEW Range Code	OLD Range Code	psi Ranges (A)			Corresponding kPa Ranges (B)			Corresponding kg/cm ² Ranges (C)		
		Specific Range	Figure Intervals	Minor Divisions	Specific Range	Figure Intervals	Minor Divisions	Specific Range	Figure Intervals	Minor Divisions
30/0	010	30" Hg to 0	5	0.2	-100 to 0 kPa	10	1	76 cm Hg to 0	10	0.5
30/15	020	30" Hg to 15 psi	5/5	0.5/0.2	-100 to 100 kPa	20/20	2/2	76 cm Hg to 1 kg/cm ²	20/0.2	1/0.2
30/30	030	30" Hg to 30 psi	10/5	1/0.5	-100 to 200 kPa	50/50	2/2	76 cm Hg to 2 kg/cm ²	20/0.5	2/0.2
30/60	040	30" Hg to 60 psi	10/10	1/1	-100 to 400 kPa	50/50	5/5	76 cm Hg to 4 kg/cm ²	25/0.5	5/0.5
30/100	050	30" Hg to 100 psi	30/10	2/1	-100 to 700 kPa	100/100	10/10	76 cm Hg to 7 kg/cm ²	76/1	5/0.1
30/150	060	30" Hg to 150 psi	30/20	5/2	-100 to 1000 kPa	100/100	10/10	76 cm Hg to 10 kg/cm ²	76/1	15/0.1
30/300	070	30" Hg to 300 psi	30/50	5/2	-100 to 2000 kPa	200/100	20/20	76 cm Hg to 21 kg/cm ²	76/3	19/0.2
15	080	0 to 15 psi	3	0.1	0 to 100 kPa	10	1	0 to 1 kg/cm ²	0.1	0.01
30	090	0 to 30 psi	5	0.2	0 to 200 kPa	20	2	0 to 2 kg/cm ²	0.2	0.02
60	100	0 to 60 psi	10	0.5	0 to 400 kPa	50	5	0 to 4.2 kg/cm ²	0.5	0.05
100	110	0 to 100 psi	10	1	0 to 700 kPa	100	5	0 to 7 kg/cm ²	1	0.05
160	120	0 to 160 psi	20	1	0 to 1100 kPa	200	10	0 to 11 kg/cm ²	1	0.1
200	130	0 to 200 psi	20	2	0 to 1400 kPa	200	10	0 to 14 kg/cm ²	2	0.1
300	140	0 to 300 psi	50	2	0 to 2000 kPa	200	20	0 to 21 kg/cm ²	3	0.2
400	150	0 to 400 psi	50	5	0 to 2800 kPa	400	20	0 to 28 kg/cm ²	4	0.2
600	160	0 to 600 psi	50	5	0 to 4000 kPa	500	50	0 to 42 kg/cm ²	6	0.5
1000	180	0 to 1000 psi	100	10	0 to 7000 kPa	1000	50	0 to 70 kg/cm ²	10	0.5
Ranges over 1000 psi are not available on 450B and 450LFB.										
1500	190	0 to 1500 psi	300	10	0 to 10,000 kPa	1000	100	0 to 100 kg/cm ²	10	1
2000	200	0 to 2000 psi	200	20	0 to 14,000 kPa	2000	100	0 to 140 kg/cm ²	20	1
3000	210	0 to 3000 psi	500	20	0 to 20,000 kPa	2000	200	0 to 210 kg/cm ²	30	2
5000	220	0 to 5000 psi	500	50	0 to 35,000 kPa	5000	250	0 to 350 kg/cm ²	50	2
10000	230	0 to 10,000 psi	1000	100	0 to 70,000 kPa	10,000	500	0 to 700 kg/cm ²	100	10
Ranges over 10,000 psi are only available on 450SS and 450LFSS, and have Ni-Span-C tubes.										
15000	240	0 to 15,000 psi	3000	100	0 to 100,000 kPa	10,000	1000	0 to 1000 kg/cm ²	100	10
20000	250	0 to 20,000 psi	2000	200	0 to 140,000 kPa	20,000	1000	0 to 1400 kg/cm ²	200	10

For dual scale ranges, specify the appropriate **Units of Measure: D (psi/kPa) or E (psi & kg/cm²)** followed by the equivalent **A (psi) Range Code**. Other pressure ranges are also available including: Altitude, Ammonia, Refrigerant and Receiver. Consult Special Application Ranges section or factory for availability.