



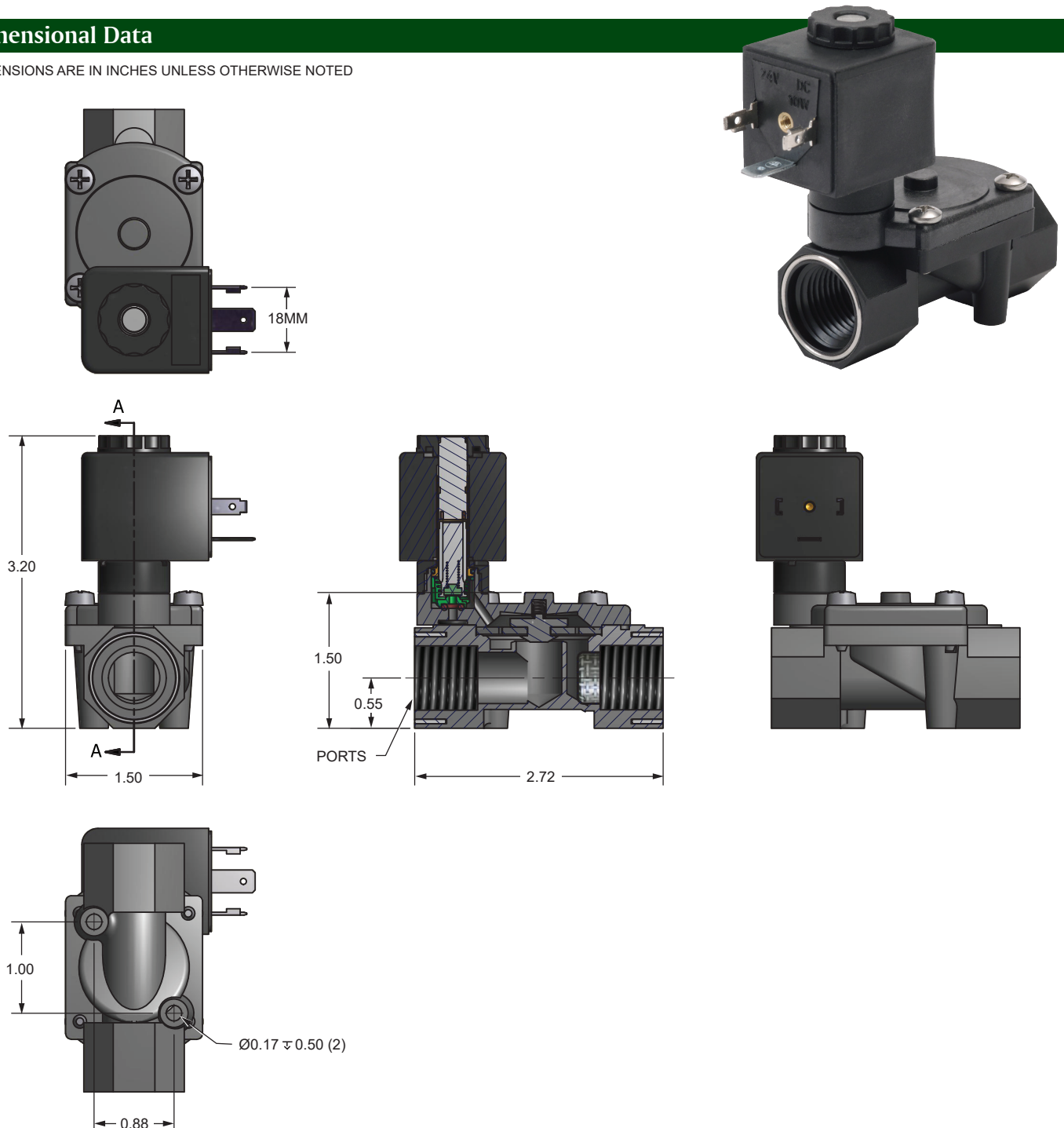
# Series 3585

## Diaphragm Process Composite Air-Sol 2-Way

The Spartan Scientific Series 3585 2-Way, 2-Position solenoid diaphragm valve offers the highest flow for the lightest weight in its class. The valve is designed from the ground up using modern design technologies and materials. Featuring a full flow 1/2" (12.5 mm) orifice, the 3585 is available in either Normally Closed or Normally Open configurations. The nylon body is media compatible, light in weight, and by use of external metal port rings, is virtually indestructible. The Normally Open version of the valve features an optional turn lock manual override and has no external by-pass tube which eliminates leak points and size. The body is available in 1/4", 3/8" and 1/2" NPT or BSP. The low wattage solenoid features a DIN 43650 Form A electrical interface and is nylon encapsulated. FKM, NBR and EPDM are standard elastomers and the operators are made of stainless steel / brass or stainless steel / brass with copper shading rings for AC versions. Typical applications include control of inert gases, water and compatible fluids.

### Dimensional Data

ALL DIMENSIONS ARE IN INCHES UNLESS OTHERWISE NOTED



DIAPHRAGM  
PROCESS



# Series 3585

Diaphragm Process  
Composite Air-Sol 2-Way

## Technical Data

**Function:** 2-Way, 2-Position; Inlet Pilot Diaphragm; Solenoid Operated; Normally Closed, or Normally Open

**Port Size / Flow Factor:** 1/4" NPT / 1.55 Cv  
3/8" NPT / 1.95 Cv  
1/2" NPT / 2.45 Cv

**Orifice Sizes:** 12.5mm / 2.45 Cv

**Pressure Range:** 7 to 150 psi (depending on orifice size and function)

**Temp. Range:** Fluid Max.: +60°C  
Dry Range: Ambient +10° to +50°C

**Response Time:** 20 to 80ms Complete Cycle

**Media:** Air, water

**Environment Protection:** IP65 (IEC 144), NEMA 4  
Dust-tight and water resistant (with electrical connector)


**Wetted Materials:** Elastomers: EPDM, FKM, NBR  
Operator: 300 and 400 Series Stainless Steel or Brass  
Orifice Baskets: Acetal POM  
Shading Ring: Copper (AC Only)  
Springs: 300 Series Stainless Steel  
Valve Body: Glass-filled Nylon (NSF Approved)

**Mounting:** Use #8 x 0.50" long self-tapping screws (2) (not provided)

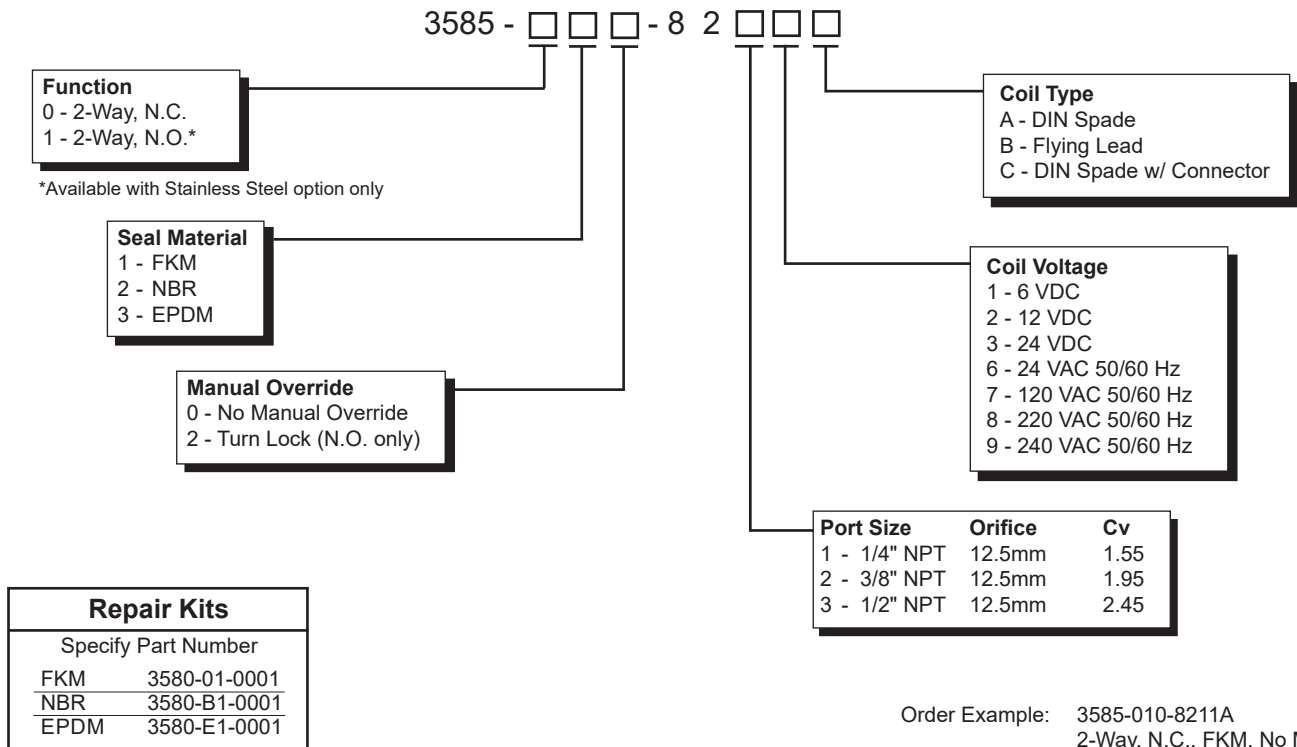
**Coil Data:** Duty Cycle: Continuous (within specifications)  
Encapsulation: Glass-Filled Nylon  
Insulation: Class F  
Power Rating: 6.5 Watt VDC, 8.5 VA VAC (others available on request)  
Voltage: 6, 12, 24 VDC  
24, 120, 220, 240 VAC 50/60 Hz  
Voltage Tolerance: +/- 10% Nominal  
Winding: Class H

**Connections:** Spades: Accordance with DIN 43650 Form "A" / ISO 4400, EN175301-803:2006  
Flying Lead: PVC 22 AWG, Multi-Strand Copper Wire, 300V, 12" minimum length

**Packaged Weight:** 0.50 lbs.

 Consult factory for available versions recognized under the Component Program of Underwriters Laboratories, Inc.

## How To Order



Order Example: 3585-010-8211A  
2-Way, N.C., FKM, No Manual,  
1/4" NPT, 6 VDC, DIN Spade