



**canfield
connector**

9F SERIES
REED & ELECTRONIC
MAGNETIC SENSORS FOR
4MM "T" SLOT APPLICATIONS

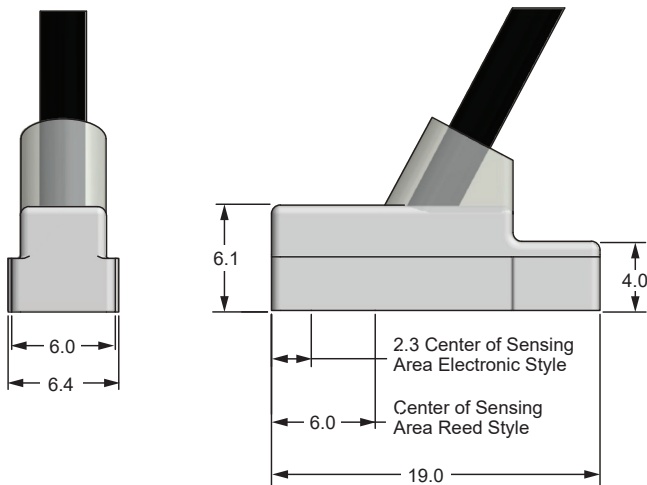
GENERAL DESCRIPTION

The Canfield Connector 9F Series is a universal, ultra-small, magnetic proximity switch available in both solid state electronic and reed styles. These sensors are designed to fit the most stringent space requirements by using a 4mm "T" slot. The electronic sensor exhibits greater sensitivity to magnetism with reduced dead-band and hysteresis as compared to competitive devices. The reed sensor offers a wide operating voltage range. The molded switch has an on board indicator light that can be viewed from wide angles. Standard connection to the sensor is provided by a 9 ft. PVC or 8mm quick connect male pigtail. The rugged switch is shipped with mounting hardware ready for installation.

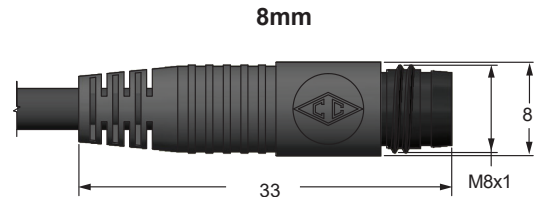


DIMENSIONAL DATA

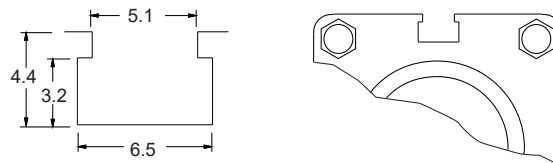
All dimensions are in millimeters unless otherwise noted.



CONNECTION OPTION



GROOVE DETAILS



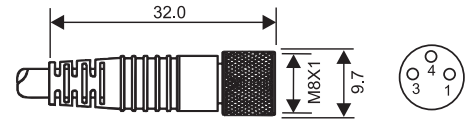
(Fits: Fabco, Festo, Numatics, Rotomation)

TECHNICAL DATA

Switch Type / Tech. Specs.	See Ordering Information†
Sensitivity / Orientation	Electronic: 25 Gauss Parallel Reed: 85 Gauss Parallel (measured from sensor surface)
Shock	Up to 30G (11mS) Reed Only (not applicable for electronics)
Vibration	Up to 20G (10-55 Hz) Reed only
Materials	Cable: PVC House: PA, TPU
Temperature Range	-20° to +80°C
Environmental Protection	Designed for IP 67 / NEMA 6
Cable Diameter	2.7mm
Wire Gauge	26 AWG standard

(ADDITIONAL) MATING CORDSETS / PIN CONFIGURATION

8mm female molded locking connector



Brown = Pin 1
Blue = Pin 3
Black = Pin 4

Order P/N:

RC08-AFM030-0120C10A (2m length)
RC08-AFM030-0150C10A (5m length)

ORDERING INFORMATION

9 F 1 0 - 0 0 0 - □ □ □

Connection Options

0 - 9 ft PVC cable
3 - 8mm quick connect male pigtail*
**Mates with cordsets shown above*

Switch† Type	Description	Function	Switching Voltage	Switching Current	Switching Power	Voltage Drop	Magnetic Sensitivity
01	Reed Switch	Normally Open SPST	0 - 120V AC/DC 50/60 Hz	0.25 Amps Max.	5 watts Max.	0 Volts	85 Ga.
02	Reed Switch for PLC's, Red LED (current limiting)	Normally Open SPST	5 - 120V AC/DC 50/60 Hz	0.03 Amps Max. 0.001 Amps Min.	4 watts Max.	5.0 Volts @ 5mA	85 Ga.
31	Electronic for Reed Magnet, Yel LED & Sourcing	Normally Open PNP	5 - 28 VDC	0.2 Amps Max.	4.8 watts Max.	1.0 Volts	25 Ga.
32	Electronic for Reed Magnet, Red LED & Sinking	Normally Open NPN	5 - 28 VDC	0.2 Amps Max.	4.8 watts Max.	1.0 Volts	25 Ga.

Ordering Example: 9F10-000-002

9 ft. PVC cable, reed switch for PLC's with LED,
SPST, normally open, 5 - 120V AC/DC 50/60 Hz