

# Preparation unit——GA Series

## GAR100 Series Regulator



### Symbol

Reflux valve option is not available



### Specification

| Model             | GAR100M5              | GAR10006 |
|-------------------|-----------------------|----------|
| Fluid             | Air                   |          |
| Port size [Note1] | M5                    | 1/8"     |
| Pressure range    | 0.05~0.9MPa(7~130psi) |          |
| Max. pressure     | 1.0MPa(145psi)        |          |
| Proof pressure    | 1.5MPa(215psi)        |          |
| Temperature range | -5~70°C(Unfreeze)     |          |
| Weight            | 59g                   |          |

[Note1] PT thread, G thread and NPT thread are available.

### Ordering code

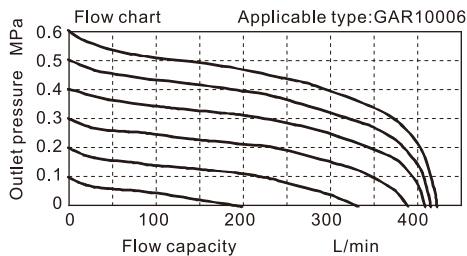
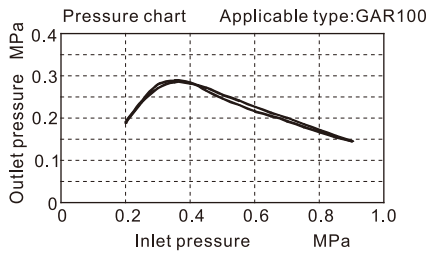
GAR100 06 S □ □ G □  
 ① ② ③ ④ ⑤ ⑥ ⑦

| ① Model                       | ② Port size       | ③ Type code                                 | ④ Accessories                   | ⑤ Pressure gauge               | ⑥ Thread type[Note2]                                      | ⑦ Code of reflux valve               |
|-------------------------------|-------------------|---|---------------------------------|--------------------------------|---|--------------------------------------|
| GAR100:GA100 Series regulator | M5: M5<br>06: 1/8 | S: Standard<br>L: Lower pressure<br>[Note1] | Blank: Bracket<br>J: No bracket | Blank: Circular<br>N: No gauge | Blank: PT (MPa/psi)<br>G: G (bar/MPa)<br>T: NPT (psi/bar) | Blank: Reflux valve is not available |

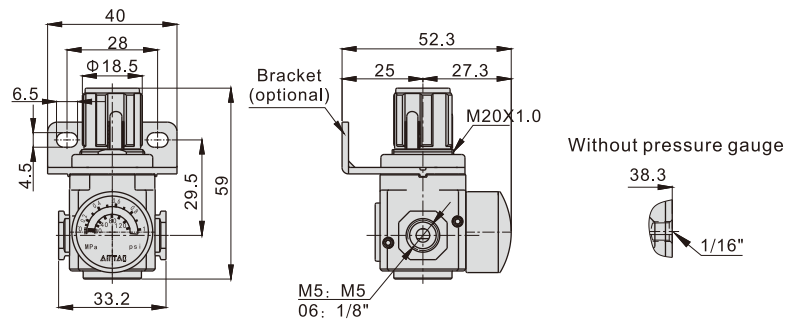
[Note1] The working pressure range of lower pressure type is 0.15~0.4MPa(20~58psi) ;

[Note 2] Thread type means connecting thread and scales of pressure gauge while port size is M5.

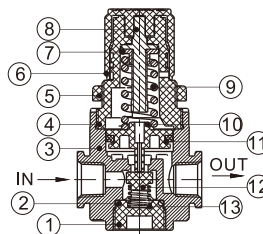
### Pressure and Flow chart



### Dimensions



### Inner structure



| No. | Item              | Material        |
|-----|-------------------|-----------------|
| 1   | Valve cap         | POM             |
| 2   | O-ring            | NBR             |
| 3   | Body              | Aluminum alloy  |
| 4   | Adjusting seat    | POM             |
| 5   | Fixed ring        | POM             |
| 6   | Pressure knob     | POM             |
| 7   | Spindle nut       | Steel           |
| 8   | Adjusting spindle | 08A             |
| 9   | Spring            | Spring Steel    |
| 10  | Piston            | POM             |
| 11  | Piston O-ring     | NBR             |
| 12  | Pressure plug     | NBR             |
| 13  | Spring            | Stainless steel |