

ProCon® — D700 | D720 Series

Digital pH/ORP Controller Analyzer



- ✓ Large color LCD display
- ✓ Intelligent menu operation
- ✓ Data recording / curve display / data upload function
- ✓ Multiple automatic SimplCal® calibration
- ✓ Double high resistance measurement mode, stable and reliable
- ✓ Manual and automatic temperature compensation
- ✓ Three (3) relays
- ✓ High & low alarm and hysteresis control
- ✓ 4-20mA & RS485 outputs
- ✓ Multi-parameter display — simultaneously shows pH, ORP and temperature
- ✓ Password protection



High Performance Industrial Controller Analyzer

The ProCon® D700/D720 series is an extremely robust industrial pH/ORP controller analyzer.

The modular design is both easy to install and operate providing first measurement values in under one minute.

The D700/D720 is packed with all the extra features included. No need to pay extra for relay, 4-20mA or RS485 outputs.

The SimplCal® feature makes calibrating your sensor easier and quicker than ever before.

The cost-saving quick and simple setup is done through our user-friendly step-by step on-screen menu.

Active display of red alarm alert provides notification of out-of-bounds sensor readings and indication for sensor cleaning/recalibration or replacement.

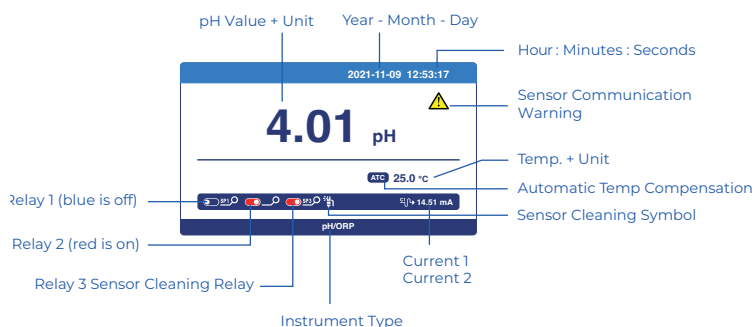
Enclosure

The D700/D720 is packaged in a rugged polycarbonate enclosure making it ideally suited for heavy-duty applications (including outdoor). A mounting kit is included for wall mounting.

SimpliConnect™
Cable Grip Connectors

No tools required

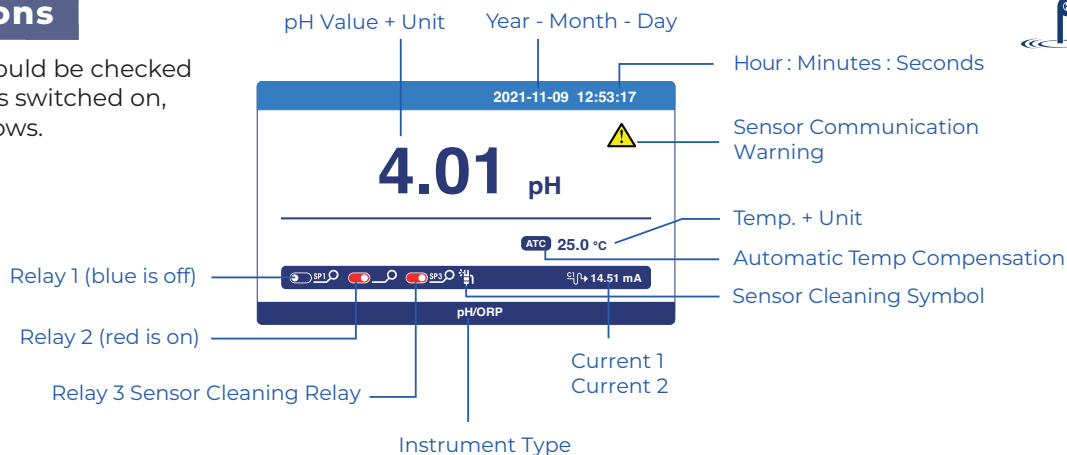
Cable Grip Wire Connector Combo
(no internal wiring required)





Display Descriptions

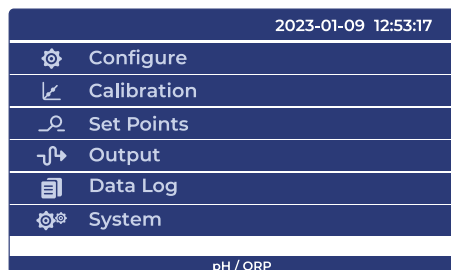
All electrical connections should be checked before use. After the power is switched on, the meter will display as follows.



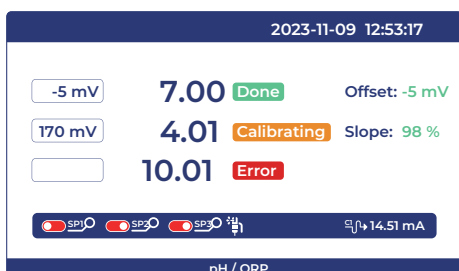
Measurement Mode



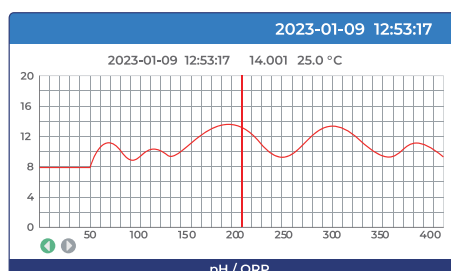
Programming Menu



Calibration Mode



Trend Chart Data Logging Display



SimplCal® Calibration



pH Calibration

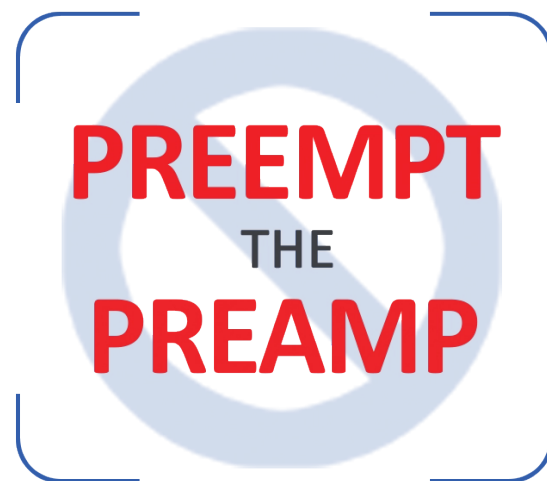


ORP Calibration

Technical Specifications



Measuring Range	pH: -2 – 16pH ORP: -2000 – +2000mV
Unit	pH mV
Resolution	pH: 0.001pH ORP: 1mV
Basic Error	pH: 0.001pH ORP: 1mV
Temperature Range	14 – 302°F -10 – 150°C (Sensor Selection Dependant)
Temperature Resolution	0.18°F 0.1°C
Temperature Accuracy	±0.54°F ±0.3°C
Temperature Compensation	Manual or Automatic
Stability	pH: 0.01pH/24h ORP: 1mV/24h
Outputs	Two (2) 4–20mA 20–4mA 0–20mA
Communication	RS485 MODBUS RTU
Relay Control Contact	5A 240VAC 5A – 28VDC
Power Supply	9 – 36VDC (std) 85 – 265VAC Power Consumption 3W
Working Temperature	14 – 140°F -10 – 60°C
Relative Humidity	≤ 90%
Enclosure Rating	IP66 NEMA 4X
Weight	1.5Kg
Dimensions	235 × 185 × 120mm
Installation methods	Wall
Other functions	Data record & Curve display





Keypad Descriptions

1. Enter Calibration Mode
2. Check Calibration Status

Cursor Down / Info

Confirm Selections



Main Menu



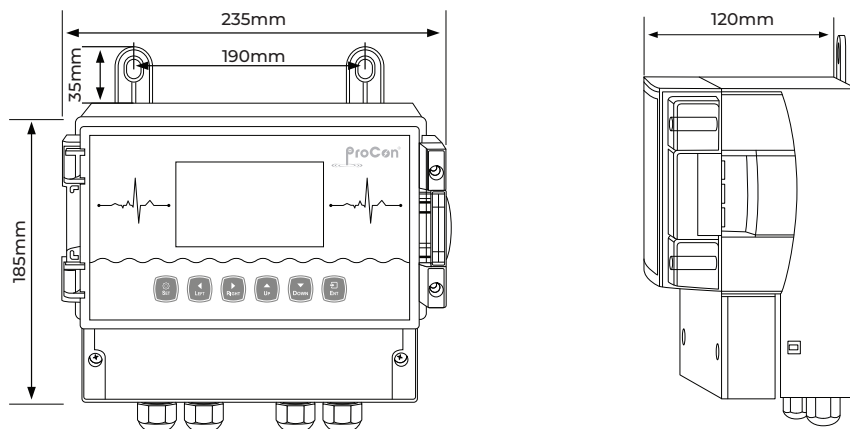
Return to Previous Menu



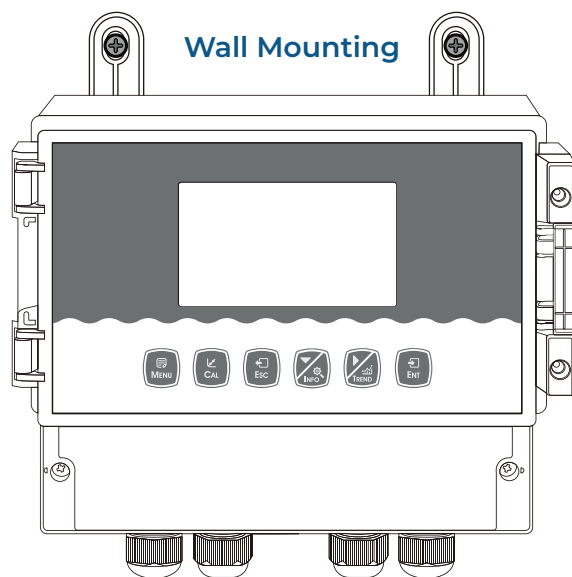
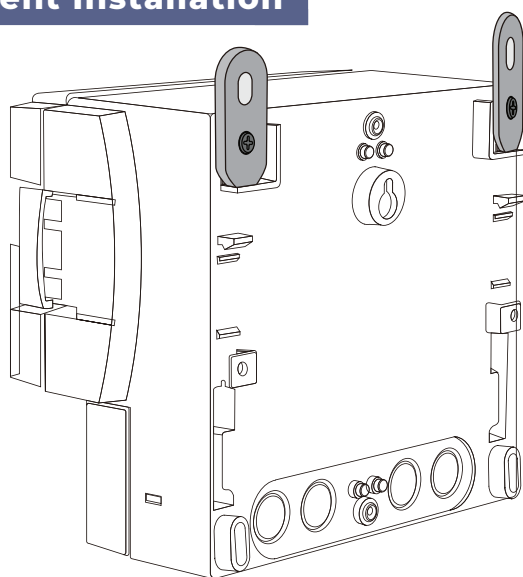
Cursor Right / Display Trend Chart



Dimensions



Instrument Installation



Wall Mounting

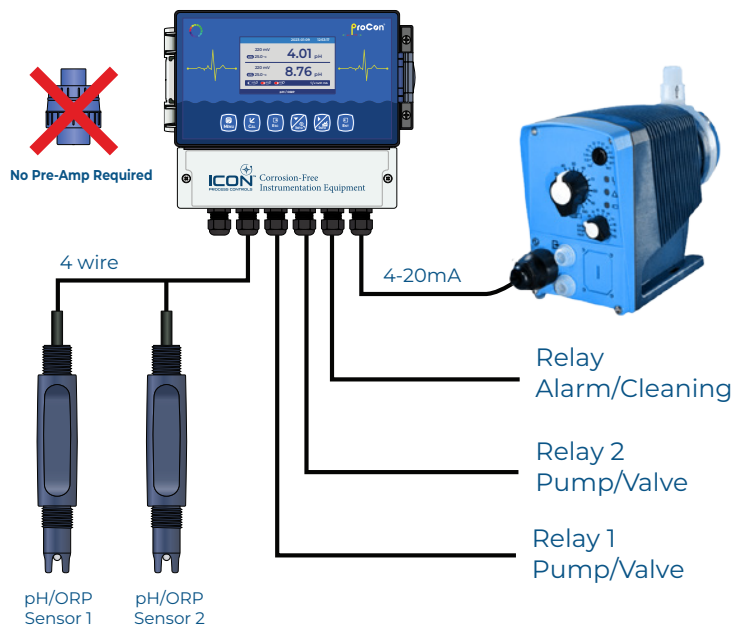
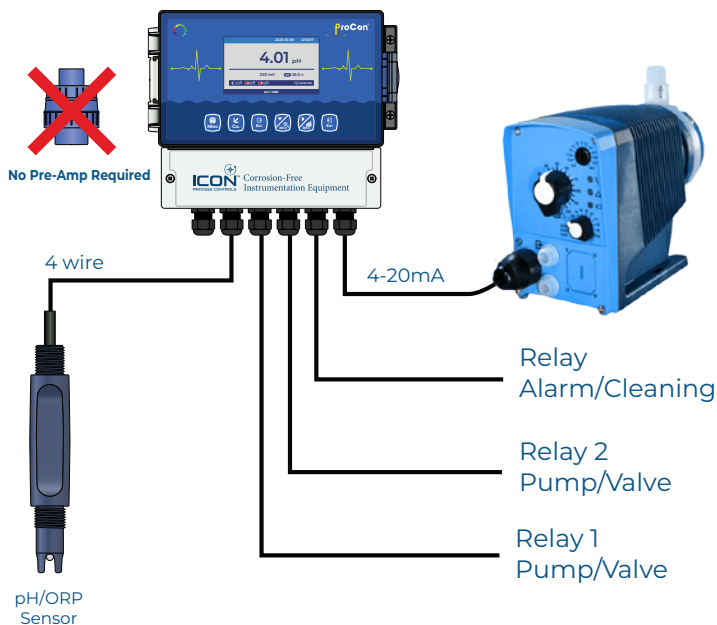
1. Cable (Recommended stripping length for cables is at least 90mm)
2. Cable ties
3. Waterproof cable glands

ProCon® — D700 | D720 Series

Digital pH/ORP Controller Analyzer



Typical Application



Model Selection

D700 — pH/ORP Controller (Single Data Trending, NEMA 4X)

Part Number	Power	Output	Power Cord	Display 1	Display 2
D700-4-D-N-P-0	24VDC	4-20mA + 3 Relays	No	pH/ORP	Single Display
D700-4-D-Y-P-0	24VDC	4-20mA + 3 Relays	Yes	pH/ORP	Single Display

Communication: RS-485 RTU Modbus

D720 — pH/ORP Controller (Dual Data Trending, NEMA 4X)

Part Number	Power	Output	Power Cord	Display 1	Display 2
D720-4-D-N-P-P	24VDC	4-20mA + 3 Relays	No	pH/ORP	pH/ORP
D720-4-D-Y-P-P	24VDC	4-20mA + 3 Relays	Yes	pH/ORP	pH/ORP
D720-4-D-N-P-C	24VDC	4-20mA + 3 Relays	No	pH/ORP	Conductivity
D720-4-D-Y-P-C	24VDC	4-20mA + 3 Relays	Yes	pH/ORP	Conductivity

Communication: RS-485 RTU Modbus