

C700 | C720 Series Controller

Conductivity, TDS, Resistivity, Salinity



- ✓ Large color LCD display
- ✓ Intelligent menu operation
- ✓ Data recording / curve display / data upload function
- ✓ Multiple automatic SimplCal® calibration
- ✓ Double high resistance measurement mode, stable and reliable
- ✓ Manual and automatic temperature compensation
- ✓ Three (3) relays
- ✓ High & low alarm and hysteresis control
- ✓ 4-20mA & RS485 outputs
- ✓ Multi-parameter display — simultaneously shows conductivity and temperature
- ✓ Password protection



High Performance Industrial Controller Analyzer

The ProCon® C700/C720 series is an extremely robust industrial conductivity controller analyzer.

The modular design is both easy to install and operate providing first measurement values in under one minute.

The C700/C720 is packed with all the extra features included. No need to pay extra for relays, 4-20mA or RS485 outputs.

The SimplCal® feature makes calibrating your sensor easier and quicker than ever before.

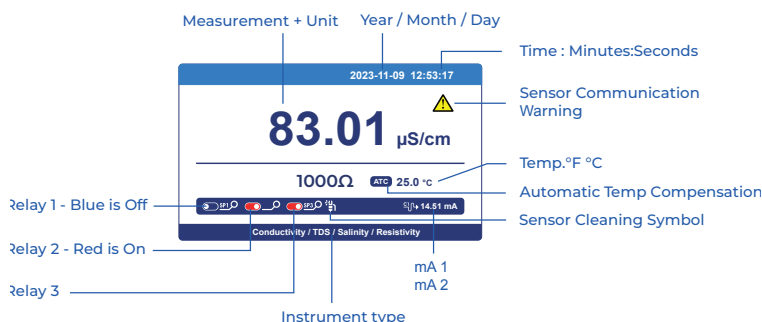
The cost-saving quick and simple setup is done through our user-friendly step-by-step on-screen menu.

Active display of red alarm alert provides notification of out-of-bounds sensor readings and indication for sensor cleaning, recalibration or replacement.

Enclosure

The C700/C720 is packaged in a rugged polycarbonate enclosure making it ideally suited for heavy-duty applications (including outdoor). A mounting kit is included for wall mounting.

Cable Grip Wire Connector Combo
 (no internal wiring required)



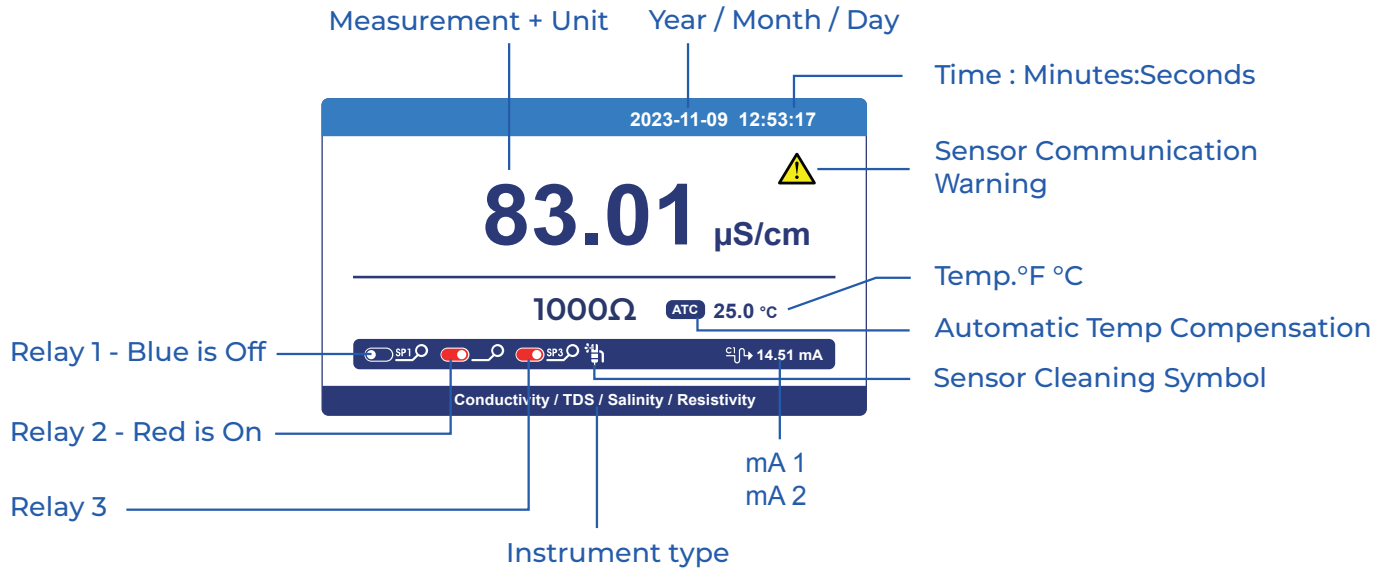
C700 | C720 Series Controller

Conductivity, TDS, Resistivity, Salinity

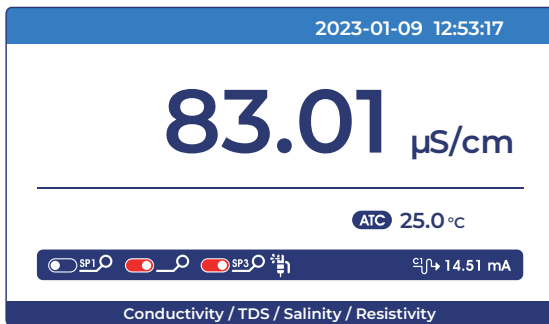
Display Descriptions



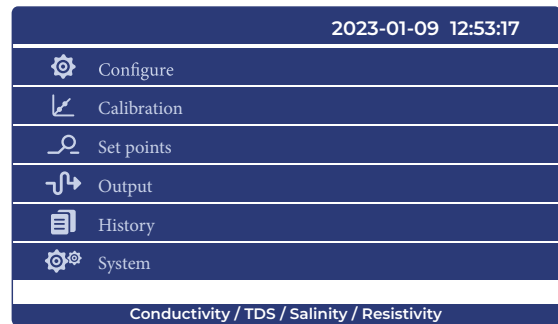
Check all electrical connections before use. The instrument will display as shown in the figure below after the power is turned on.



Measurement Mode



Programming Mode

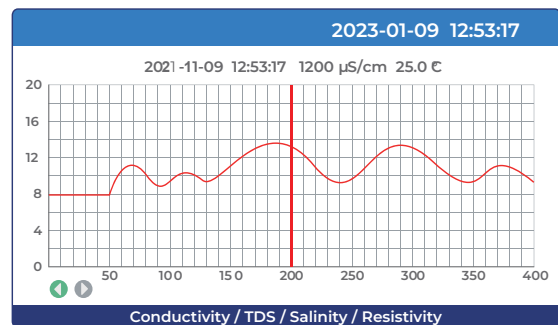


Calibration Mode

Note: New Sensors are Factory Calibrated



Data Logging Trend Chart



C700 | C720 Series Controller

Conductivity, TDS, Resistivity, Salinity

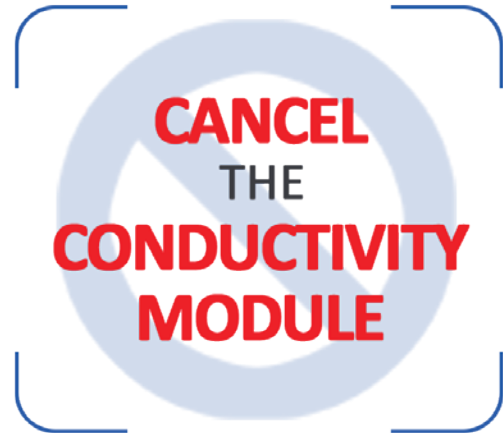


Corrosion-Free
Instrumentation Equipment

Technical Specifications



Measuring Range	0 – 500mS/cm
Resolution	0.1µS/cm 0.01mS/cm
Intrinsic Error	±0.5% F.S
Resistivity	0 – 18.25MΩ/cm
Resolution	0.01KΩ/cm 0.01MΩ/cm
TDS	0 – 250g/L
Resolution	0.01mg/L 0.01g/L
Salinity	0 – 700ppt
Resolution	0.01ppm 0.01ppt
Working Temperature	32 – 302°F 0 – 150°C
Temperature Compensation	Automatic or Manual
Output2	Two (2) 4–20mA 20–4mA 0–20mA
Communication	RS485 MODBUS RTU
Relay Control Contact	5A 240VAC 5A – 28VDC
Power Supply	9 – 36VDC (std) 85 – 265VAC Power Consumption 3W
Environmental Temperature	14 – 140°F -10 – 60°C
Relative Humidity	≤ 90%
Enclosure Rating	IP66 NEMA 4X
Weight	0.7kg
Dimensions	235 × 185 × 120mm
Installation methods	Wall Mount
Other functions	Data record & Curve display



C700 | C720 Series Controller

Conductivity, TDS, Resistivity, Salinity

Keypad Descriptions



1. Enter Calibration Mode
2. Check Calibration Status

Cursor Down / Info

Confirm Selections



Main Menu



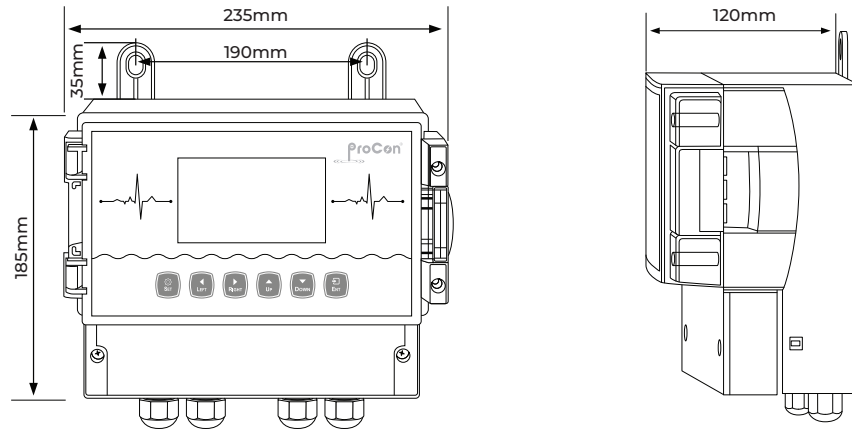
Return to Previous Menu



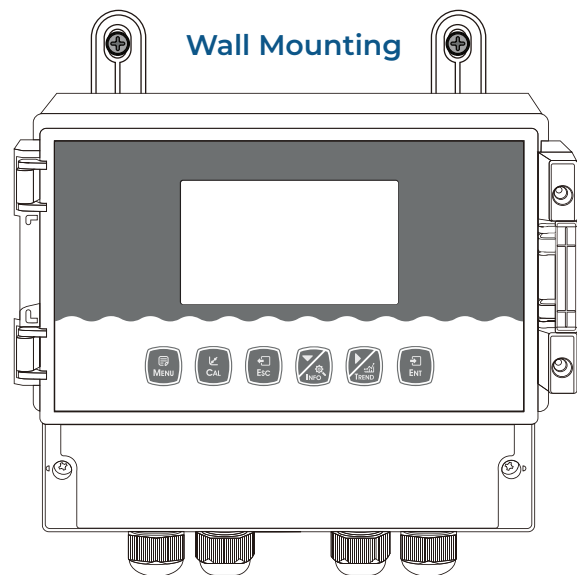
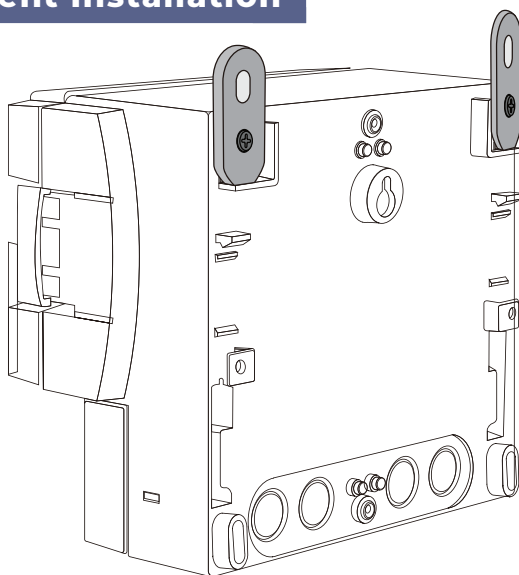
Cursor Right / Display Trend Chart



Dimensions



Instrument Installation

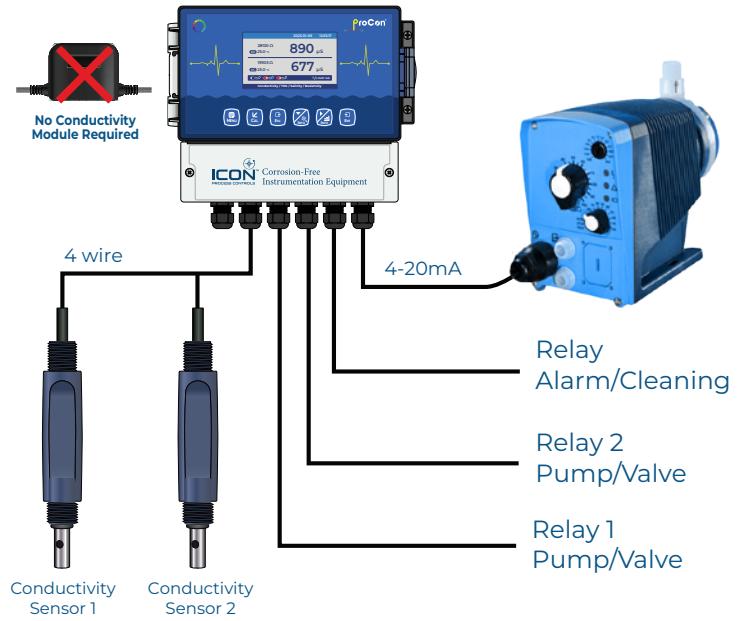
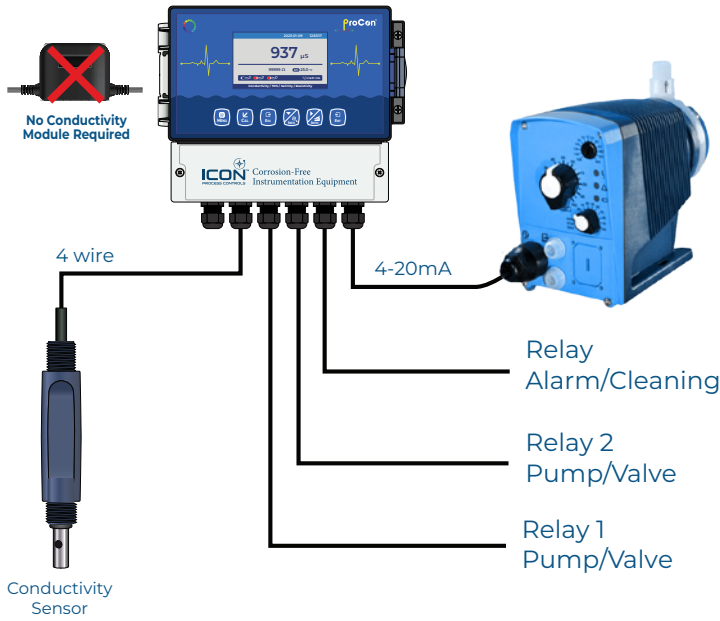


1. Cable (Recommended stripping length for cables is at least 90mm)
2. Cable ties
3. Waterproof cable glands

C700 | C720 Series Controller

Conductivity, TDS, Resistivity, Salinity

Typical Application



Model Selection

C700 — Conductivity Controller (Single Data Trending, NEMA 4X)

Part Number	Power	Output	Power Cord	Display 1	Display 2
C700-4-D-N-C-0	24VDC	4-20mA + 3 Relays	No	Conductivity	Single Display
C700-4-D-Y-C-0	24VDC	4-20mA + 3 Relays	Yes	Conductivity	Single Display

Communication: RS-485 RTU Modbus

C720 — Conductivity Controller (Dual Data Trending, NEMA 4X)

Part Number	Power	Output	Power Cord	Display 1	Display 2
C720-4-D-N-C-P	24VDC	4-20mA + 3 Relays	No	Conductivity	pH/ORP
C720-4-D-Y-C-P	24VDC	4-20mA + 3 Relays	Yes	Conductivity	pH/ORP
C720-4-D-N-C-C	24VDC	4-20mA + 3 Relays	No	Conductivity	Conductivity
C720-4-D-Y-C-C	24VDC	4-20mA + 3 Relays	Yes	Conductivity	Conductivity

Communication: RS-485 RTU Modbus