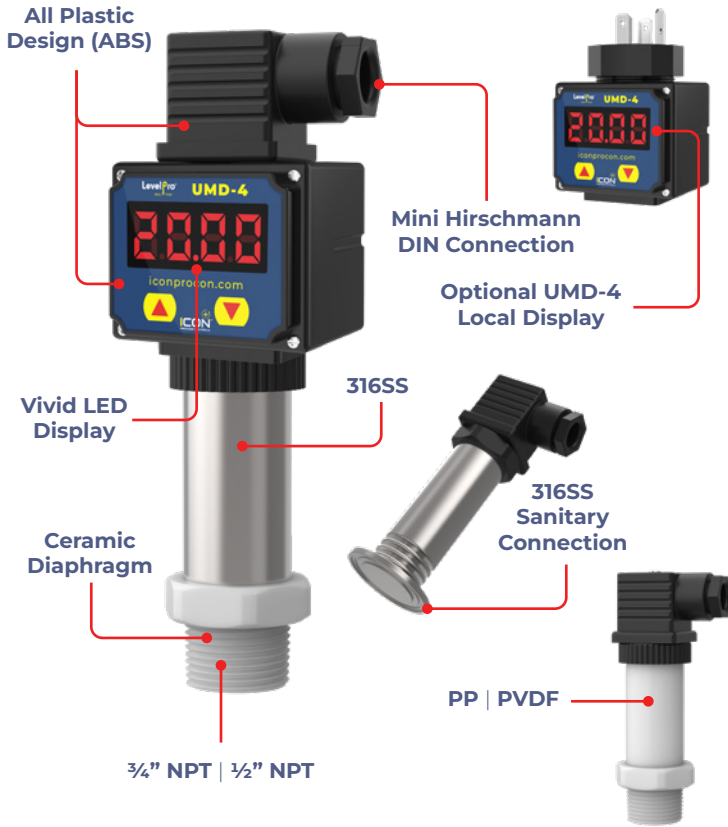


Truflo® — LP200 Series Pressure Transmitter | Switch

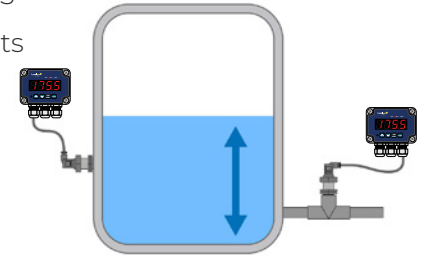


Features

- ✓ PP | PVDF | 316SS Body
- ✓ 0 – 300 Psi Ranges Available (+Vacuum)
- ✓ 4-20mA Output | 2 Wire Loop Powered
- ✓ Ceramic Sensing Diaphragm
- ✓ 0.5% F.S | High Accuracy
- ✓ 3/4" NPT | 1/2" NPT Connection
- ✓ No Programming Required
- ✓ Temperature Compensated
- ✓ Excellent Chemical Resistance

The **LP200 Pressure Transmitter** was designed to measure pressure or level within industry's most demanding corrosive process applications. When measuring pressure, it can be mounted vertically or horizontally, and can easily be installed into a threaded process pipe tee fitting.

The LP200 implements a state of the art ceramic measuring principle that changes the physical pressure (which equates to no more than a few microns), into a linear electronic signal that can be measured. This minimal deformation applies negligible material strain on the ceramic electronic pressure-sensing diaphragm, resulting in high resistance to alternating loads and long-term durability. Perfect for tough industrial applications.



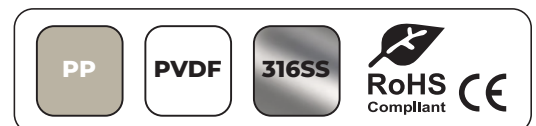
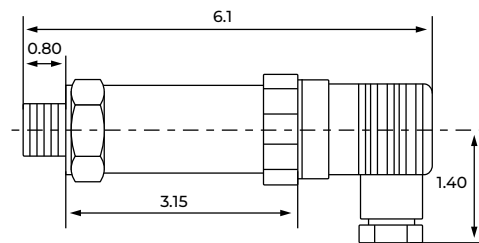
Specifications

Range	0-300psi
Medium	H ₂ O Corrosive Liquid Gases
Accuracy	0.5% F.S
Power Supply	18 - 36VDC
Output Signal	4-20mA 2 Wire 3 Wire
Medium Temperature	-31 – 185°F -35 – 85°C
Environment Temperature	-40 – 176°F -40 – 80°C
Store Temperature	-40 – 176°F -40 – 80°C
Temperature Effect	±0.02% FS
Pressure Connection	3/4" NPT 1/2" NPT
Electrical Connection	Hirschmann DIN

Ceramic Piezo Sensor Pressure Range

Nominal Pressure FSO	Bar	0.5	1	2	5	10
	Psi	7	14	29	73	145
Overload Pressure	Bar	1	2	4	10	15
	Psi	14	29	58	145	217
Burst Pressure	Bar	2	3	6	12	20
	Psi	29	43	87	174	290

Dimensions



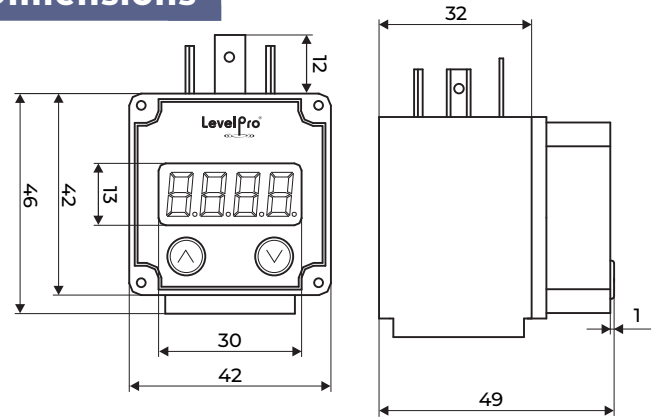
Optional UMD-4 Local Display



Features

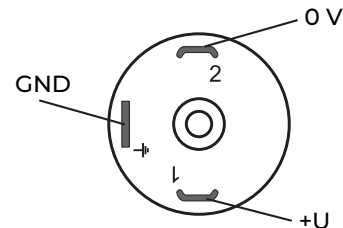
- ✓ Local Display of Measured Value
- ✓ Direct Mounting
- ✓ 4-digit Bright LED
- ✓ Easy 2 Button Programming
- ✓ Relay Output
- ✓ Powered from Current Loop / 4-20mA

Dimensions



Electrical Connection

Positive pole (+ U) is connected to pin No. 1, negative pole (0 V) is connected to pin No. 2. The plug-on display is powered by the current 4-20mA loop, no additional auxiliary power is required.



Two-wire :
1) Supply + (Red)
2) Signal + (Black)

Specifications (UMD-4)

Input Signal	4-20mA
Voltage drop	< 2.5 V
Accuracy	0.1 % ± 1 digit
Display	4 digit LED Height of Digit 7mm
Output Signal	4-20mA 2 Wire 3 Wire
Ambient Temperature	-4 – 158°F -20 – 70°C
Storage Temperature	-40 – 176°F -30 – 85°C
Connection	Connector acc. to DIN 43 650
Housing	Plastic ABS
Protection class	NEMA 4X IP65
Dimension	42 x 46 x 49 mm
Weight	approx. 80g

Model Selection

LP200 — Pressure Transmitter | Switch

Size	Part Number	Material
3/4" NPT	LP200-PP-0-X	PP
3/4" NPT	LP200-PF-0-X	PVDF
3/4" NPT	LP200-SS-0-X	316SS
1/2" NPT	LP250-PP-0-X	PP
1/2" NPT	LP250-PF-0-X	PVDF
1/2" NPT	LP250-SS-0-X	316SS

X = Pressure Range

- 30 ▶ 0 - 30 Psi 150 ▶ 0 - 150 Psi
 50 ▶ 0 - 50 Psi 225 ▶ 0 - 225 Psi
 100 ▶ 0 - 100 Psi 300 ▶ 0 - 300 Psi (SS Only)

Add Suffix "-L": LED Display — 2 Relay + 4-20mA

Consult Factory for Alternative Pressure Ratings