

# XSEL™ Process Gauge - Monel® Alloy Parts

## Type 262.34 - Dry Case

## Type 263.34 - Liquid-filled Case

WIKA Datasheet 26X.34

### Applications

- For applications with high dynamic pressure pulsations or vibration a liquid filled case and socket restrictor are available
- Suitable for corrosive environments and gaseous or liquid media that will not obstruct the pressure system
- Process industry: chemical/petrochemical, power stations, mining, on and offshore, environmental technology, mechanical engineering and plant construction

### Product features

- Excellent load-cycle stability and shock resistance
- Solid front thermoplastic case
- Positive pressure ranges to 15,000 psi (1,000 bar)
- XSEL™ Process Gauge with 5 year warranty on gauge and 10 year warranty on pressure system (see terms and conditions)
- All lower mount connection gauges are factory prepared for liquid filling

(LBM: must install membrane prior to field filling)

### Specifications

#### Design

ASME B40.100

#### Sizes

4½" & 6" (115 & 160 mm) dial size

#### Accuracy class

± 0.5% of span (ASME B40.100 Grade 2A)

#### Ranges

Vacuum / Compound to 200 psi (16 bar)  
Pressure from 15 psi (1 bar) to 15,000 psi (1,000 bar)  
or other equivalent units of pressure or vacuum

#### Working pressure

Steady: full scale value  
Fluctuating: 0.9 x full scale value  
Short time: 1.5 x full scale value

#### Operating temperature

Ambient: -40°F to +140°F (-40°C to +60°C) - dry  
-4°F to +140°F (-20°C to +60°C) - glycerine filled  
-40°F to +140°F (-40°C to +60°C) - silicone filled  
Medium: max. +212°F (+100°C)

#### Temperature error

Additional error when temperature changes from reference temperature of 68°F (20°C) ±0.4% of span for every 18°F (10°K) rising or falling.



XSEL™

Bourdon Tube Pressure Gauge Model 262.34

#### Weather protection

Weather resistant (NEMA 3 / IP54) - without membrane  
Weather tight (NEMA 4X / IP66) - dry case or filled case with membrane installed

#### Pressure connection

Material: Monel® M400  
Lower mount (LM) or lower back mount (LBM)  
1/4" or 1/2" NPT with M4 internal tap

#### Restrictor

Material: Monel® (0.6 mm), standard

#### Bourdon tube

Material: Monel® M400  
≤ 1,000 PSI (69 bar): C-shape  
≥ 1,500 PSI (100 bar): Helical

#### Movement

Stainless steel. Internal overload stop set at 1.1 x full scale  
Overload stop - standard  
Underload stop - optional  
Dampened movement - optional

#### Dial

White aluminum with black lettering, stop pin at 6 o'clock.  
Standard WIKA psi single scales (4½" only) with large figures at beginning and end for quick and easy identification.

#### Pointer

Black aluminum, adjustable

#### Case

Black fiberglass-reinforced thermoplastic (POCAN)  
Solid front, blowout back  
Turret-style case with built in rear flange lugs

## Window

Clear acrylic with Buna-N gasket

## Case filling Type 263.34

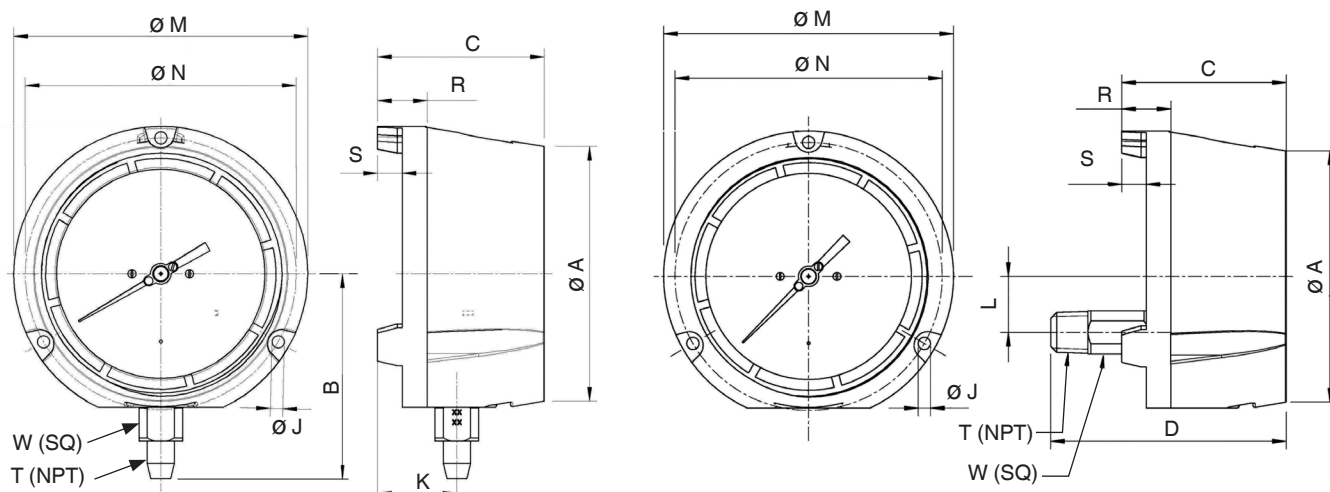
Glycerine 99.7% and  $\geq 40$  psi (2.5 bar)

Glycerine 86.5%/Water 13.5% -  $< 40$  psi (2.5 bar)

## Optional extras

- Silicone dampened movement
- Panel mounting adaptor kit (field assembled)
- Silicone case filling
- Halocarbon case filling
- Cleaned for oxygen service
- Instrument glass or safety glass window<sup>2</sup>
- Drag pointer (maximum reading indicator)
- Alarm contacts switches (magnetic or inductive)
- Special process connections
- Custom dial layout
- External zero adjustment (4.5" size only)
- Case and ring in red or yellow thermoplastic (4½" LM only)
- Insight<sup>®</sup> reflective dial options available in white, fluorescent yellow, fluorescent orange or glow-in-the-dark

## Dimensions



Size		A	B	C	D	J	K	L	M	N	R	S	T	W	Weight <sup>1</sup>
4.5"	mm	128	103	84	120.3	6.3	40	28.5	148	136.5	25	12.5		22	2 lb. dry
	in	5	4.06	3.31	4.74	0.248	1.57	1.12	5.83	5.37	0.99	0.49	1/2"	0.87	3 lb. filled
6"	mm	164	122.5	88	123.4	7.1	40.2	28.5	190	177.8	25.4	12.7		22	3 lb. dry
	in	6.46	4.82	3.46	4.86	0.28	1.58	1.12	7.5	7	1	0.5	1/2"	0.87	4 lb. filled

<sup>1</sup> Weight without optional accessories

### Ordering information

Pressure gauge model / Nominal size / Scale range / Size of connection / Optional extras required

© 2018 WIKA Instrument, LP. All Rights Reserved.

The specifications given in this document represent the state of engineering at the time of publishing. We reserve the right to make modifications to the specifications and materials.



**WIKAL Instrument, LP**

1000 Wiegand Boulevard

Lawrenceville, GA 30043

Tel (770) 513-8200 Toll-free 1-888-WIKA-USA

Fax (770) 338-5118

E-Mail [info@wika.com](mailto:info@wika.com)

[www.wika.com](http://www.wika.com)