

# Power supply CP-E 24/0.75

## Primary switch mode power supply

The CP-E range offers enhanced functionality while the number of different types has been considerably reduced. Now all power supply units can be operated at an ambient temperature of up to +70 °C.



### Characteristics

- Rated output voltage 24 V DC
- Output voltage adjustable via front-face rotary potentiometer “OUTPUT Adjust”
- Rated output current 0.75 A
- Rated output power 18 W
- Wide range input 100-240 V AC (90-264 V AC, 120-375 V DC)
- Typical efficiency of 77 %
- Low power dissipation and low heating
- Free convection cooling (no forced cooling with ventilators)
- Ambient temperature range during operation -20...+70 °C
- Open-circuit, overload and short-circuit stable
- Integrated input fuse
- Redundancy unit CP-RUD offering true redundancy, available as accessory
- LEDs for status indication

### Approvals

- UL 508, CAN/CSA C22.2 No. 107.1<sup>1)</sup>
- UL 1310, CAN/CSA C22.2 No. 223 (Class 2 Power Supply)
- ANSI/ISA-12.12, CAN/CSA C22.2 No. 213 (Class I, Div. 2, hazardous locations)
- UL 60950, CAN/CSA C22.2 No. 60950<sup>1)</sup>
- UL 62368-1, CAN/CSA-C22.2 No. 62368-1
- EAC
- CCC<sup>1)</sup>

<sup>1)</sup> Approval refers to rated input voltage  $U_{in}$

### Marks

- CE
- RCM

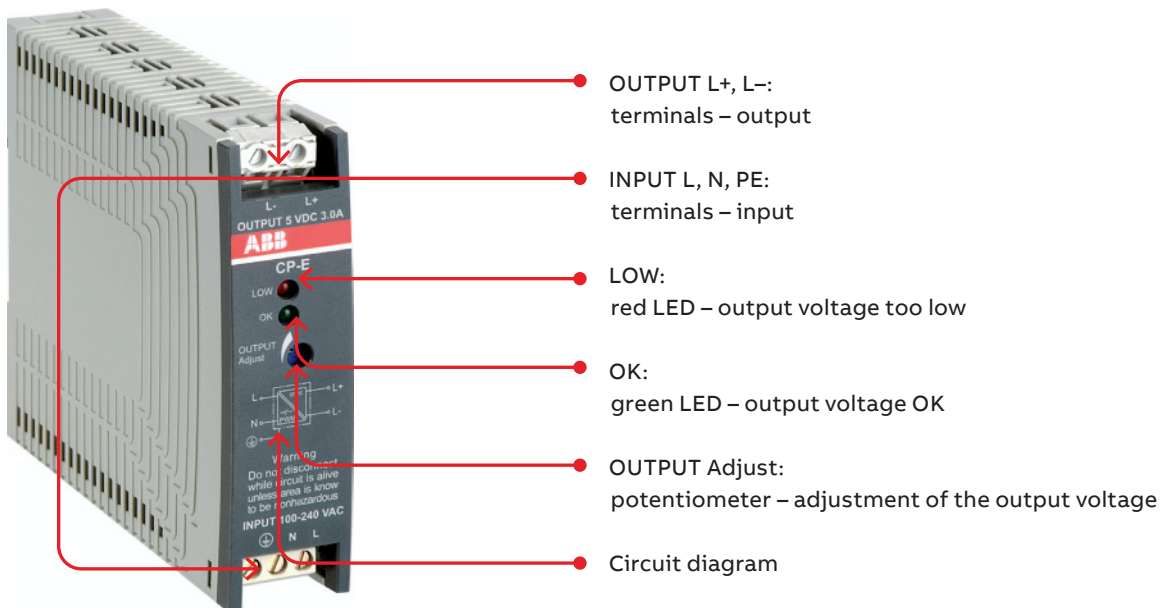
### Order data

Type	Input voltage range	Rated output voltage / current	Order code
CP-E 24/0.75	90-264 V AC / 120-375 V DC	24 V DC / 0.75 A	1SVR 427 030 R0000

### Order data – accessories

Type	Description	Order code
CP-RUD	Redundancy unit The CP-RUD provides decoupling of two CP-E power supply units $\leq 35$ V and $< 5$ A.	1SVR 423 418 R9000

# Functions



## Application

The primary switch mode power supply offers two voltage input ranges. This enables the supply with AC or DC. Furthermore it is equipped with two generous capacitors, which ensure mains buffering of at least 75 ms (at 230 V AC). That is why the devices can be used worldwide also in high fluctuating networks and battery-powered plants.

## Operating mode

By means of the potentiometer “OUTPUT Adjust” the output voltage can be adjusted within a range of 21.6 to 28.8 V DC. Thus, the power supply can be optimally adapted to the application, e.g. compensating the voltage drop caused by a long line length.

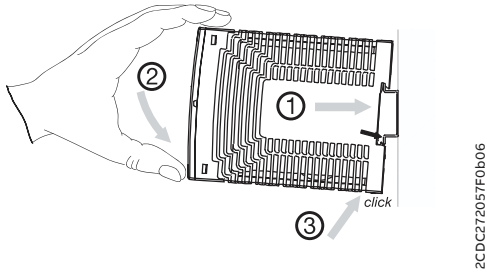
The green LED “OK” is lightening during proper operation.

The red LED “LOW” is lightening when the output voltage is too low.

# Installation

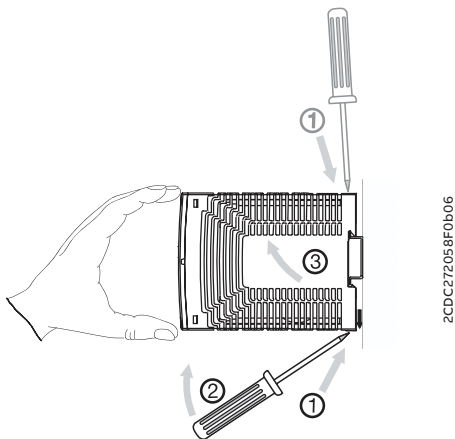
## Mounting

The switch mode power supply can be snapped on a DIN rail according to IEC/EN 60715 as shown in the accompanying picture. For that the device is set with its mounting rail slide on the upper edge of the mounting rail and locked by lifting it downwards.



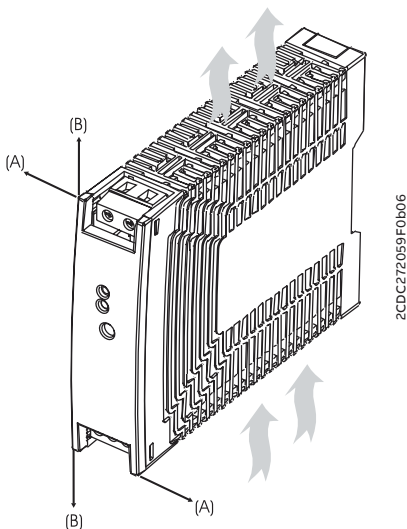
## Demounting

Remove the switch mode power supply as shown in the accompanying picture. For that the latching lever is pulled downwards by means of the screwdriver. Alternatively you can press the unlock button to release the device. Then in both cases the device can be unhinged from the mounting rail edge and removed.



## Mounting position

The devices have to be mounted horizontally with the input terminals on the bottom. In order to ensure a sufficient convection, the minimum distance to other modules should not be less than 25 mm in vertical and horizontal direction.

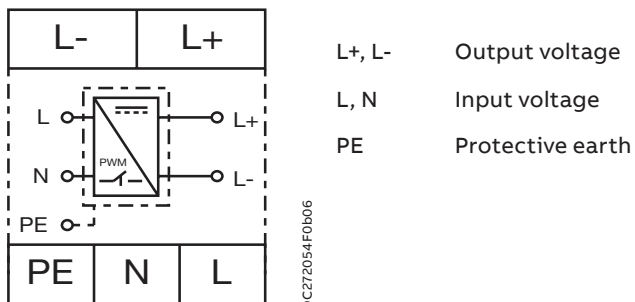


# Electrical connection

Connect the input terminals L and N. The protective earth conductor PE must be connected. The installation must be executed acc. to EN 62368-1, provide a suitable disconnecting device (e. g. line protection switch) in the supply line. The input side is protected by an internal input fuse.

Rate the lines for the maximum output current (considering the short-circuit current) or provide a separate fuse protection. We recommend to choose the cable section as large as possible in order to minimize voltage drops. Observe the polarity. The device is overload, short-circuit and open-circuit proof. The secondary side of the power supply unit is electrically isolated from the input and internally not earthed (SELV) and can therefore be earthed by the user according to the needs with L+ or L- (PELV).

## Connection diagram



# Safety instructions and warnings



## In operation pay attention to:

- Do not modify the installation (primary and secondary side)! High current!  
Risk of electric arcs and electric shock (danger to life)!
- Risk of burns: Depending on the operation conditions the housing can become hot.
- The device contains no user serviceable parts. In any case of device malfunction please send the unit back to manufacturer.



The device must be installed by qualified persons only and in accordance with the specific national regulations (e. g. VDE, etc.).

The CP-E power supplies are chassis-mounted units. It is maintenance-free and does not contain any integral setting elements and should therefore not be opened.



## Before any installation, maintenance or modification work:

- Read the operating and installation instructions carefully and completely!
- Disconnect the system from the supply network and protect against switching on!



## CAUTION

Improper installation/operation may impair safety of personnel and cause operational difficulties or destruction of the unit.



## WARNING

### Before start of operation the following must be ensured:

- Connection to mains or DC supply according to the specific national regulations for class of protection I. Power supply cables and unit must be sufficiently fused. A disconnecting device has to be provided for the end product to disengage unit and supply cables from supply mains if required.
- Rate the output lines for the output current of the power supply and connect them with the correct polarity.
- In order to ensure sufficient convection the distance to the other devices has to be considered.



## WARNING

### Danger to life!

Never carry out work when voltage is present. The power supply contains components with high stored energy and circuits with high voltage! Do not introduce any objects into the unit and do not open the unit. With some units of this range the output is capable of providing hazardous energy. Ensure that the service personnel is protected against inadvertent contact with parts carrying energy. If the internal fuse is blown most probably the device is defect. In this case an examination of the device by the manufacturer is necessary.

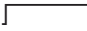

# Technical data

Data at  $T_a = 25\text{ °C}$ ,  $U_{in} = 230\text{ V AC}$  and rated values, unless otherwise indicated

## Input circuits

Supply circuits		
Rated input voltage $U_{in}$	L,N	100-240 V AC
Input voltage range	AC	90-264 V
	DC	120-375 V
Frequency range	AC	47-63 Hz
Typical input current	at 115 V AC	335 mA
	at 230 V AC	210 mA
Typical power consumption		22.8 W
Inrush current limiting	at 115 V AC	15 A
	at 230 V AC	30 A
Discharge current	input / output	0.25 mA
	input / PE	3.5 mA
Power failure buffering time	at 115 V AC	min. 20 ms
	at 230 V AC	min. 75 ms
Internal input fuse		2 A slow-acting / 250 V AC
Power factor correction (PFC)		no

## User interface

Indication of operational states		
Output voltage	OK: green LED	 : output voltage OK
	LOW: red LED	 : output voltage too low

## Output circuit

Rated output voltage	L+, L-	24 V DC
Tolerance of the output voltage		0 ... +1 %
Adjustment range of the output voltage		21.6-28.8 V DC
Rated output power		18 W
Rated output current $I_r$	$T_a \leq 60\text{ °C}$	0.75 A
Derating of the output current	$60\text{ °C} < T_a \leq 70\text{ °C}$	2.5 %/°C
Maximum deviation with	load change statical	±2 %
	change of output voltage within the input voltage range	±1 %
Control time		< 2 ms
Starting time after applying the supply voltage	at $I_r$	max. 1 s
	with 7000 $\mu\text{F}$	max. 1.5 s
Rise time	at $I_r$	max. 150 ms
	with 7000 $\mu\text{F}$	max. 500 ms
Fall time		max. 150 ms
Residual ripple and switching peaks	BW = 20 MHz	50 mV
Parallel connection		yes, to enable redundancy
Series connection		yes, to increase voltage
Resistance to reverse feed		1 s – max. 35 V DC

## Output circuit – no-load, overload and short-circuit behaviour

Characteristic curve of output	Hiccup-mode
Short-circuit protection	continuous short-circuit proof
Short-circuit behaviour	Hiccup-mode
Overload protection	output power limiting
No-load protection	continuous no-load stability
Starting of capacitive loads	7000 $\mu$ F

## General data

Power dissipation	typ. 4.45 W	
Efficiency	typ. 77 %	
Duty time	100 %	
Dimensions (W x H x D)	22.5 x 90 x 114 mm (0.89 x 3.54 x 4.49 in)	
Weight	0.143 kg (0.315 lb)	
Material of housing	Plastic	
Mounting	DIN rail (IEC/EN 60715), snap-on mounting without any tool	
Mounting position	horizontal	
Minimum distance to other units	horizontal / vertical	25 mm / 25 mm (0.98 in / 0.98 in)
Degree of protection	housing / terminals	IP20 / IP20
Protection class		I

## Electrical connection – input circuit / output circuit

Connecting capacity	fine-strand with wire end ferrule	0.2-2.5 mm <sup>2</sup> (24-14 AWG)
	fine-strand without wire end ferrule	
	rigid	
Stripping length		6 mm (0.24 in)
Tightening torque		0.6 Nm (5 lb.in)

## Environmental data

Ambient temperature range	operation	-20...+70 °C (-4...+158 °F)
	rated load	-20...+60 °C (-4...+140 °F)
	storage	-25...+85 °C (-13...+185 °F)
Damp heat		95 % RH, without condensation
Vibration (sinusoidal) (IEC/EN 60068-2-6)		10-500 Hz, 2 G, along X, Y, Z each axis, 60 min. for each axis
Shock (half-sine) (IEC/EN 60068-2-27)		15 G, 11 ms, 3 axis, 6 faces, 3 times for each face

## Isolation data

Rated insulation voltage U <sub>i</sub>	input / output	3 kV AC
	input / PE	1.5 kV AC
	output / PE	0.5 kV AC; 0.71 kV DC
Pollution degree		2
Overvoltage category		II

## Standards / Directives

Standards	IEC/EN 62368-1
Low Voltage Directive	2014/35/EU
Protective low voltage	SELV (IEC 60950-1)
EMC Directive	2014/30/EU
RoHS Directive	2011/65/EU

## Electromagnetic compatibility

Interference immunity to		IEC/EN 61000-6-2
electrostatic discharge	IEC/EN 61000-4-2	Level 4 (air discharge 15 kV / contact discharge 8 kV)
radiated, radio-frequency, electromagnetic field	IEC/EN 61000-4-3	Level 3 (10 V/m)
electrical fast transient / burst	IEC/EN 61000-4-4	Level 4 (4 kV / 2.5 kHz)
surge	IEC/EN 61000-4-5	L-L Level 3 (2 kV) / L-PE Level 4 (4 kV)
conducted disturbances, induced by radio-frequency fields	IEC/EN 61000-4-6	Level 3 (10 V)
power frequency magnetic fields	IEC/EN 61000-4-8	Level 4 (30 A/m)
voltage dips, short interruptions and voltage variations	IEC/EN 61000-4-11	dip: >95 % 10 ms / >30 % 500 ms interruptions: >95 % 5000 ms
Interference emission		IEC/EN 61000-6-3
high-frequency radiated	IEC/CISPR 22, EN 55022	Class B
high-frequency conducted	IEC/CISPR 22, EN 55022	Class B
limits for harmonic current emissions	IEC/EN 61000-3-2	Class D

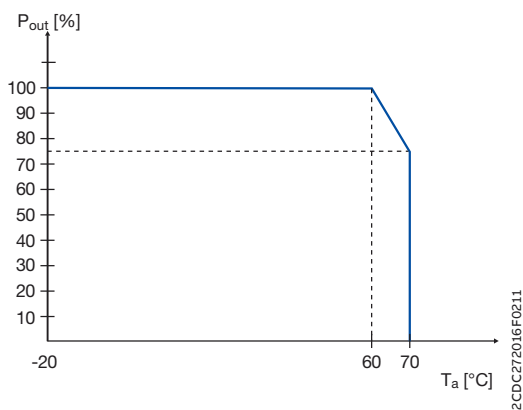
## Technical diagrams

### Output behaviour

The switch mode power supply CP-E 24/0.75 is able to supply at 24 V DC output voltage and

- at an ambient temperature of:
  - ≤ 60 °C a continuous output current of approx. 0.75 A
- at ambient temperatures of:
  - 60 °C < T<sub>a</sub> ≤ 70 °C the output power has to be reduced by 2.5 % per °C temperature increase.

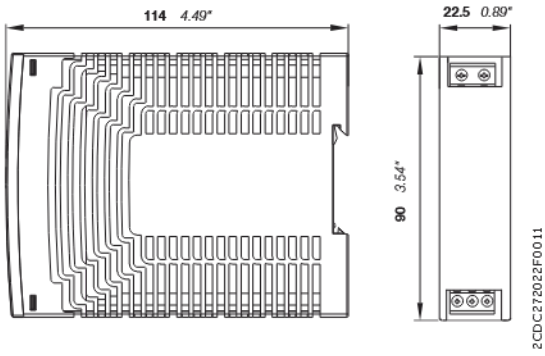
### Temperature behaviour



Characteristic curve of temperature at rated load

# Dimensions

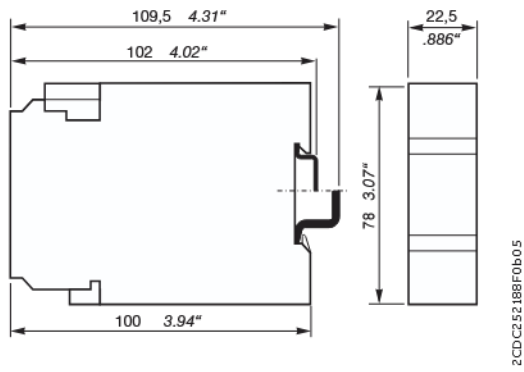
in mm [inches]



CP-E 5/3.0

# Dimensions accessories

in mm [inches]



CP-RUD

---

## Further documentation

Document title	Document type	Document number
Electronic Products and Relays	Technical catalogue	2CDC 110 004 C02xx
Power Supply Units	Application manual	2CDC 114 048 M020x
Redundancy unit CP-RUD	Data sheet	2CDC 114 032 D0201

You can find the documentation on the internet at [www.abb.com/lowvoltage](http://www.abb.com/lowvoltage)  
-> Automation, control and protection -> Power supplies.

---

## CAD system files

You can find the CAD files for CAD systems at <http://abb-control-products.partcommunity.com>  
-> Low Voltage Products & Systems -> Control Products -> Power Supplies.



---

**ABB STOTZ-KONTAKT GmbH**  
Eppelheimer Strasse 82  
69123 Heidelberg, Germany

**[abb.com/lowvoltage](http://abb.com/lowvoltage)**

---

We reserve the right to make technical changes or modify the contents of this document without prior notice. With regard to purchase orders, the agreed particulars shall prevail. ABB Ltd. does not accept any responsibility whatsoever for potential errors or possible lack of information in this document.

We reserve all rights in this document and in the subject matter and illustrations contained therein. Any reproduction, disclosure to third parties or utilization of its contents – in whole or in parts – is forbidden without prior written consent of ABB Ltd. Copyright© 2021 ABB Ltd. All rights reserved